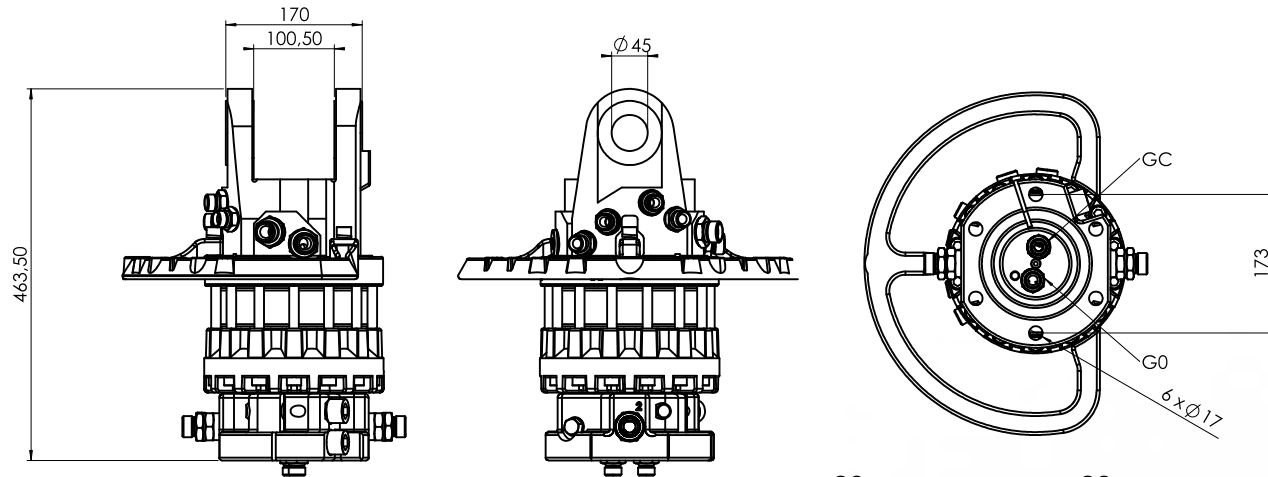
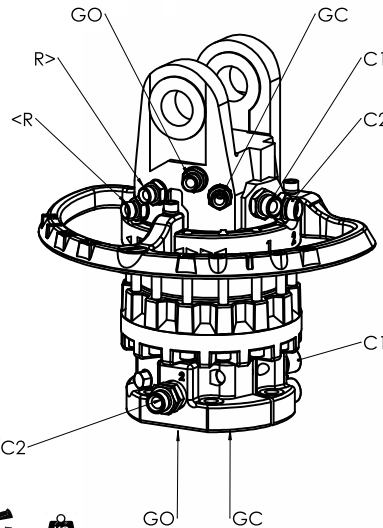


71221 CRS 1200H-4C-W35F173



- <R> = Rotation, unlimited, max 250 bar.
- GO = Grapple open line, max 200 bar.
- GC = Grapple close line, max 300 bar
- C1 = Working line 1, max 300 bar
- C2 = Working line 2, max 300 bar

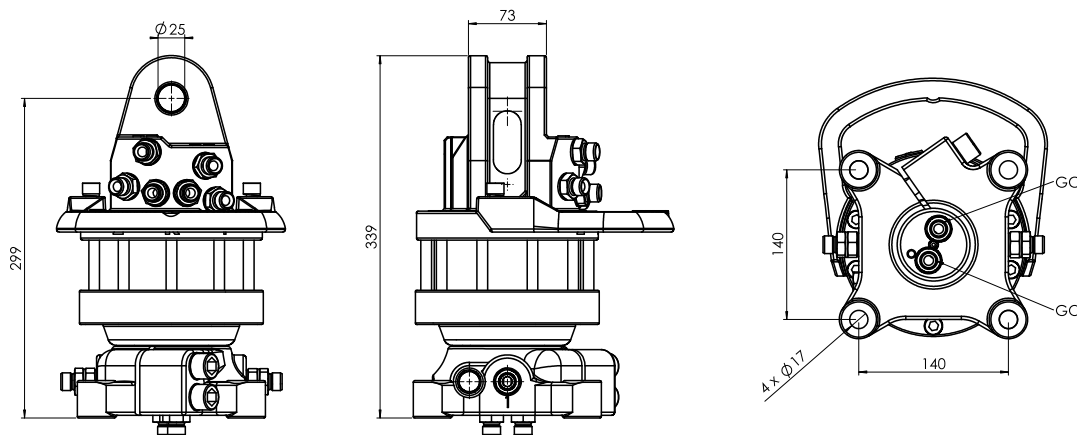


Code	Connectors*	Product	Nm	kN	kN	kg
71221	-333	CRS 1200H-W45F173	2900	120	60	78

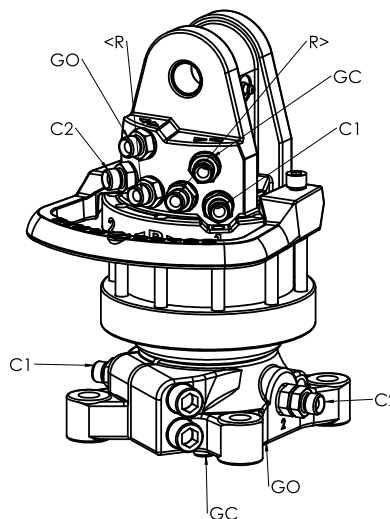
- Flange
- Upper cover GO/GC
- <R>

Connectors:
 1=BSP 1/4" 2=BSP 3/8" 3=BSP 1/2"
 4=JIC 9/16-18 5=JIC 3/4-16 8=DIN M18x1,5
 9=DIN M22x1,5 0=Plastig plug S=Steel plug
 *) "standard", other versions also available

70422 CRS 400-4C-W25F140(D68)



- <R> = Rotation, unlimited, max 250 bar.
- GO = Grapple open line, max 200 bar.
- GC = Grapple close line, max 300 bar
- C1 = Working line 1, max 300 bar
- C2 = Working line 2, max 300 bar



Code	Connectors*	Product	Nm	kN	kN	kg
70422	-222	CRS 400-C4-W25F140(D68)	1100	45	25	36

- Flange
- Upper cover GO/GC
- <R>

Connectors:
 1=BSP 1/4" 2=BSP 3/8" 3=BSP 1/2"
 4=JIC 9/16-18 5=JIC 3/4-16 8=DIN M18x1,5
 9=DIN M22x1,5 0=Plastig plug S=Steel plug
 *) "standard", other versions also available



Select a CR S series when you need a rotators with 4 oil through channel.

A light-weight and effective hydraulic rotators with unlimited rotation for cutting heads and other special solutions.

Choose genuine Finn-Rotor original accessories to ensure smooth working. From the wide variety, you will find all necessary accessories.

get Your crane moving!



get Your crane moving!

www.finn-rotor.com
 info@finn-rotor.com
 +358 14 417 8400

PL 96, 43101 SAARIJÄRVI
 FINLAND