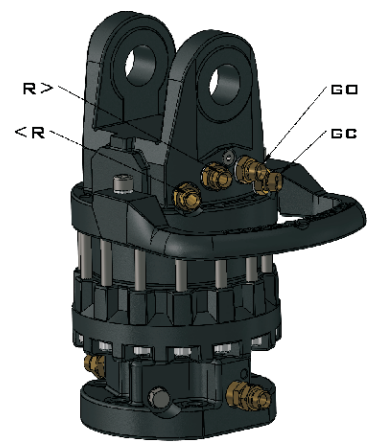
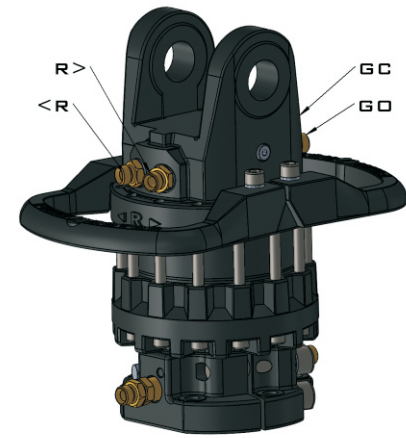


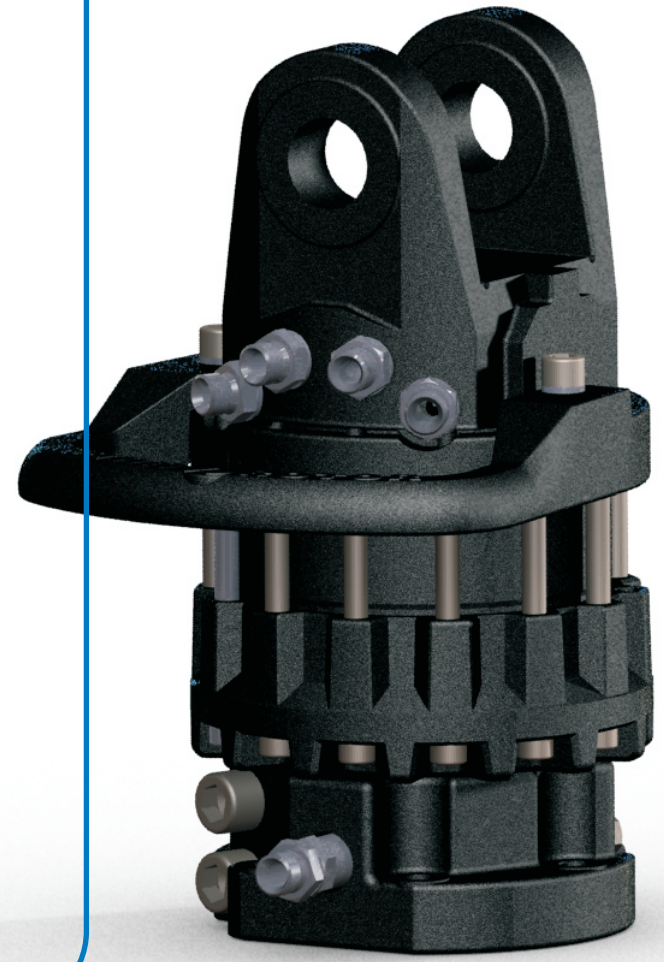
CRH W-MODEL



CRH X-MODEL



	CR 800H		CR 1000H		CR 1200H		CR 1600H	
	MM	INC	MM	INC	MM	INC	MM	INC
A	308	12,126	350,5	13,799	382,5	15,059	382,5	15,059
B	35	1,378	35	1,378	45	1,772	45	1,772
C	298	11,721	314	12,362	324	12,756	324	12,756
D	130,5	5,138	130,5	5,138	170	6,693	170	6,693
E	80,5	3,169	80,5	3,169	100,5	3,957	100,5	3,957
F	62,5	2,461	62,5	2,461	77,5	3,051	77,5	3,051
G	198	7,795	214	8,425	224	8,811	224	8,811
H	77	3,03	79	3,110	83	3,268	90	3,543
I	30	1,181	30	1,181	35	1,378	42	1,654
J	353	13,898	395,5	15,571	437,5	17,224	437,5	17,224
K	87	3,425	87	3,425	113	4,449	113	4,449



TWO COMPONENT PAINTING QUARANTEE HIGH QUALITY SURFACE AND GOOD PROTECTION AGAINST RUST.

HIGH VOLUME WITH MULTI-STATOR CONSTRUCTION GIVES A GOOD EFFICIENCY.

NEEDLE BEARING IN UPPER COVER TAKES NEGATIVE AXIAL FORCES.

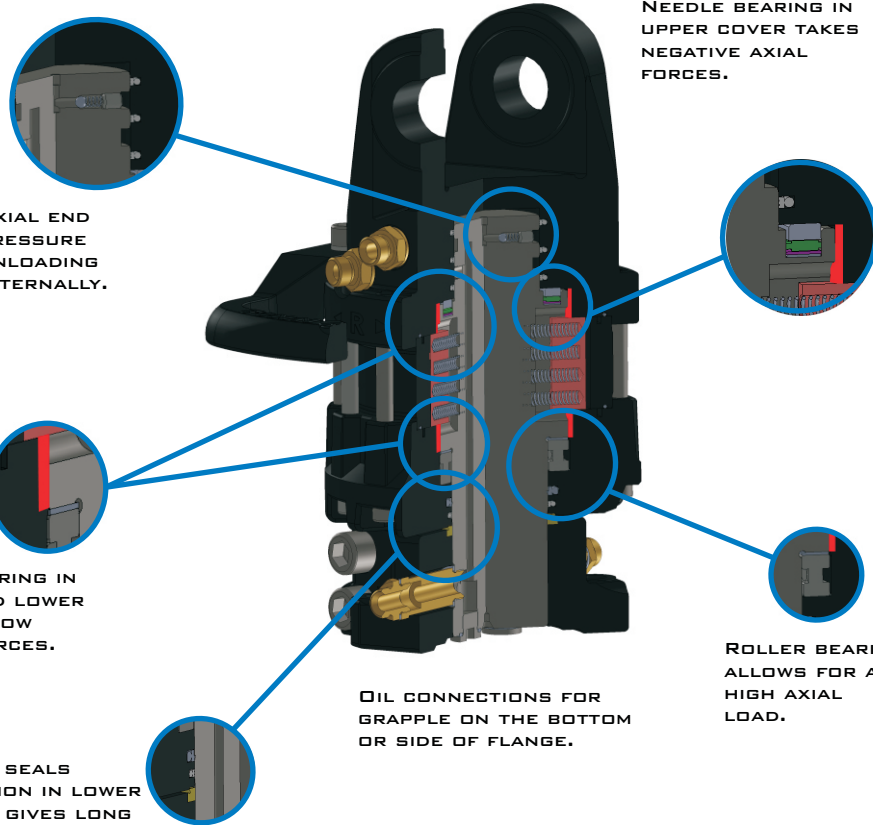
AXIAL END PRESSURE UNLOADING INTERNALLY.

SLIDE BEARING IN UPPER AND LOWER COVER ALLOW RADIAL FORCES.

THREE SEALS SOLUTION IN LOWER COVER GIVES LONG LIFE TIME.

OIL CONNECTIONS FOR GRAPPLE ON THE BOTTOM OR SIDE OF FLANGE.

ROLLER BEARING ALLOWS FOR A HIGH AXIAL LOAD.



	CR 800H		CR 1000H		CR 1200H		CR 1600H	
	UNLIMITED		UNLIMITED		UNLIMITED		UNLIMITED	
ROTATION ANGLE								
MAX PRESSURE (R) [BAR/PSI]	250	3625	250	3625	250	3625	250	3625
MAX PRESSURE (GD) [BAR/PSI]	300	4350	300	4350	300	4350	300	4350
MAX PRESSURE (GC) [BAR/PSI]	300	4350	300	4350	300	4350	300	4350
DISPLACEMENT [CM ³ /IN ³]	670	40,9	810	49	949	57	1265	77,2
TORQUE [NM/LBF FT]	2000	1475	2700	1991	2900	2139	3600	2655
MAX AXIAL LOAD STATIC [KN/LBF]	80	17985	100	22481	120	26977	160	35970
	-40	-8992	-80	-17985	-90	-20233	-90	-20233
MAX AXIAL LOAD DYNAMIC [KN/LBF]	40	8992	50	11241	60	13489	80	17985
	-20	-4496	-40	-8992	-45	-10116	-45	-10116
WEIGHT W-MODEL [KG/LB]	51	112,2	64	140,8	76	167,2	78	171,6
X-MODEL [KG/LB]	54	118,8	67	147,4	79	173,8	81	178,2
CONNECTIONS	G 1/2"	G 1/2"	G 1/2"	G 1/2"	G 1/2"	G 1/2"	G 1/2"	G 1/2"
REQ. OIL FLOW [LPM/GPM]	25	6,6	25	6,6	25	6,6	35	9,2



SELECT A CR H SERIES WHEN YOU NEED A SUPERIOR PERFORMANCE AND DRIVING PRECISION.

A LIGHT-WEIGHT AND EFFECTIVE HYDRAULIC ROTATORS WITH UNLIMITED ROTATION FOR HEAVY DUTY CRANES.

CHOOSE GENUINE FINN ROTOR ORIGINAL ACCESSORIES TO ENSURE SMOOTH WORKING. FROM THE WIDE VARIETY, YOU WILL FIND ALL NECESSARY ACCESSORIES.

get Your crane moving!



get Your crane moving!

WWW.FINN-ROTOR.COM
INFO@FINN-ROTOR.COM
+358 14 417 8400

PL 96,43101 SAARIJÄRVI
FINLAND