

<R> = Rotation, unlimited, max 250 bar.
 GO = Grapple open line, max 200 bar.
 GC = Grapple close line, max 300 bar

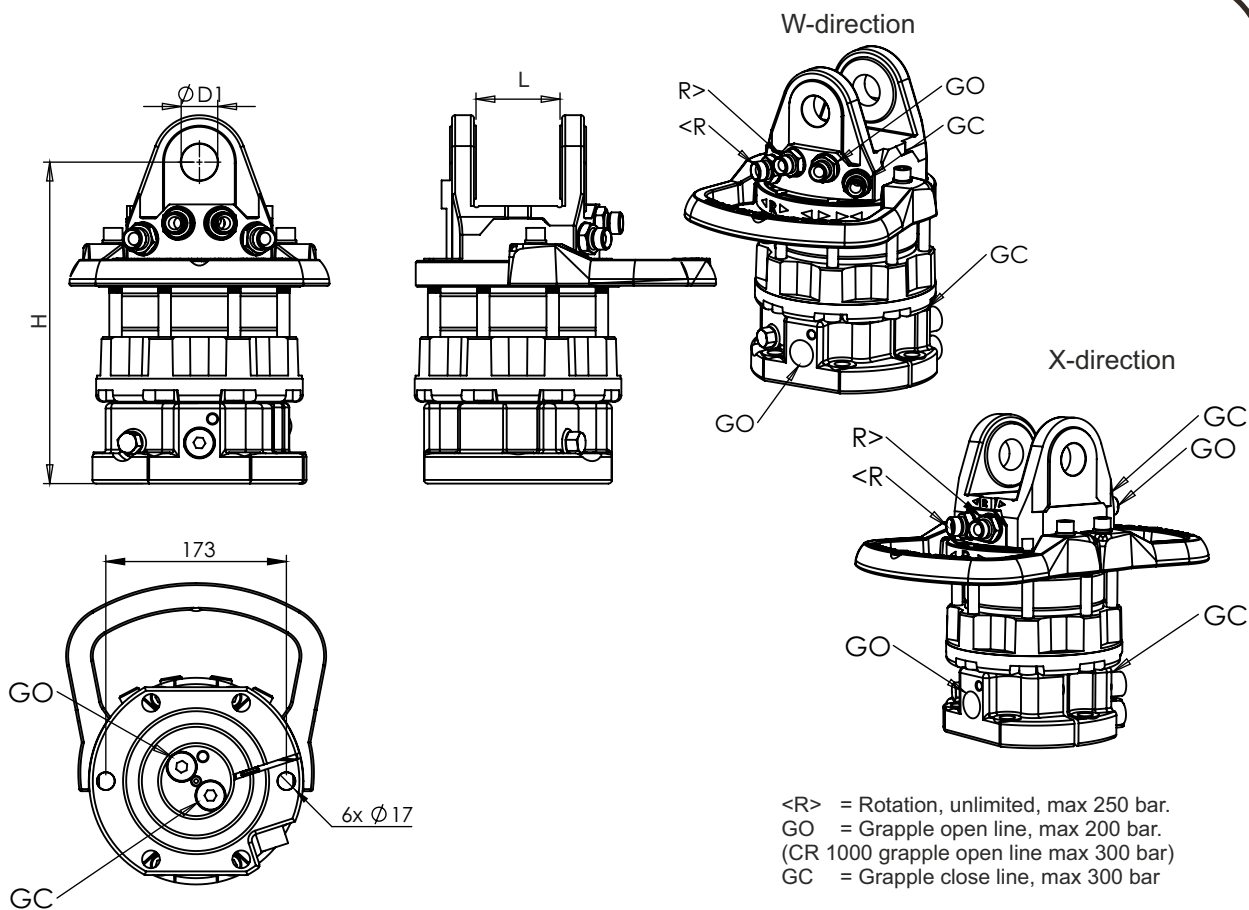
Code	Connectors*	Product	ØD1 mm	L mm	H mm	Nm	kN	kN	kg	TOP shape	HG	Flange
70305	-222	CR 300-W25F140	25	60	234	900	30	15	22	⊗	ST(S,L)	140x140
70306	-222	CR 300-W25F173	25	60	234	900	30	15	22	⊗	ST(S,L)	173(4)
70321	-222	CR 320-W25F140	25	60	245	900	30	15	28	⊗	S(PL)	140x140
70405	-222	CR 400-W25F140	25	73	247,5	1100	45	25	28	⊗	ST(S,L)	140x140
70407	-222	CR 400-W25F140(D68)	25	73	266,5	1100	55	25	33	⊗	ST(S,L)	140x140
70408	-222	CR 400-W25F173(D68)	25	73	266,5	1100	55	25	33	⊗	ST(S,L)	173(4)
70412	-222	CR 400-W30F173(D68)	30	73	266,5	1100	55	25	33	⊗	ST(S,L)	173(4)
70409	-222	CR 400-W25F173	25	73	247,5	1100	45	25	28	⊗	ST(S,L)	173(4)
70411	-222	CR 400-W30F173	30	73	247,5	1100	45	25	28	⊗	ST(S,L)	173(4)
70505	-222	CR 500-W30F173	30	73	273	1400	55	25	35	⊗	ST(S,L)	173(4)
70506	-222	CR 500-W30F140	30	73	273	1400	55	25	35	⊗	ST(S,L)	140x140
70507	-222	CR 500-W30F173(6)	30	73	273	1400	55	25	35	⊗	ST(SL)	173(6)

Flange
 Upper cover GO/GC
 <R>

Connectors:
 1=BSP 1/4" 2=BSP 3/8" 3=BSP 1/2"
 4=JIC 9/16-18 5=JIC 3/4-16 8=DIN M18x1,5
 9=DIN M22x1,5 0=Plastig plug S=Steel plug
 *) "standard", other versions also available

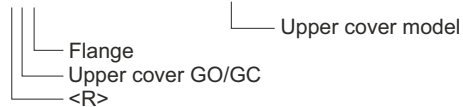
HG (Hose guard)
 S = Standard, cast iron
 ST = Casted steel
 PL = Steel plate
 L = High, steel,
 Options marked = (x,y)





<R> = Rotation, unlimited, max 250 bar.
 GO = Grapple open line, max 200 bar.
 (CR 1000 grapple open line max 300 bar)
 GC = Grapple close line, max 300 bar

Code	Connectors*	Product	ØD1 mm	L mm	H mm	Nm	kN	kN	kg	TOP shape	HG	Flange
70508	-222	CR 500-WU35F173	35	80	281	1400	55	25	35		ST(S,L)	173
70600	-333	CR 600-X35F173	35	80	308	1800	60	30	50		S(L)	173
70601	-333	CR 600-W35F173	35	80	292	1800	60	30	48		S(L)	173
70610	-333	CR 600-W35B173	35	80	314	1800	60	30	50		S(L)	173
71002	-333	CR 1000-X35F173	35	80	325,5	2700	100	50	65		S(L)	173
71003	-333	CR 1000-W35F173	35	80	325,5	2700	100	50	62		S(L)	173



Upper cover model

Connectors:
 1=BSP 1/4" 2=BSP 3/8" 3=BSP 1/2"
 4=JIC 9/16-18 5=JIC 3/4-16 8=DIN M18x1,5
 9=DIN M22x1,5 0=Plastig plug S=Steel plug

*) "standard", other versions also available

HG (Hose guard)
 S = Standard, cast iron
 ST = Casted steel
 PL = Steel plate
 L = High, steel,
 Options marked = (x,y)



Select a CR F series when you need the best productivity and power.

A light-weight and effective hydraulic rotators with unlimited rotation for garco and forest cranes.

Choose genuine Finn-Rotor original accessories to ensure smooth working. From the wide variety, you will find all necessary accessories.

get Your crane moving!



get Your crane moving!

www.finn-rotor.com
 info@finn-rotor.com
 +358 14 417 8400

PL 96, 43101 SAARIJÄRVI
 FINLAND