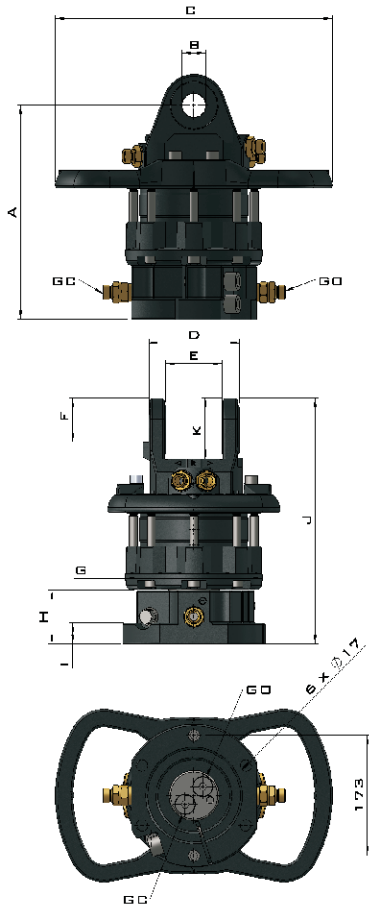
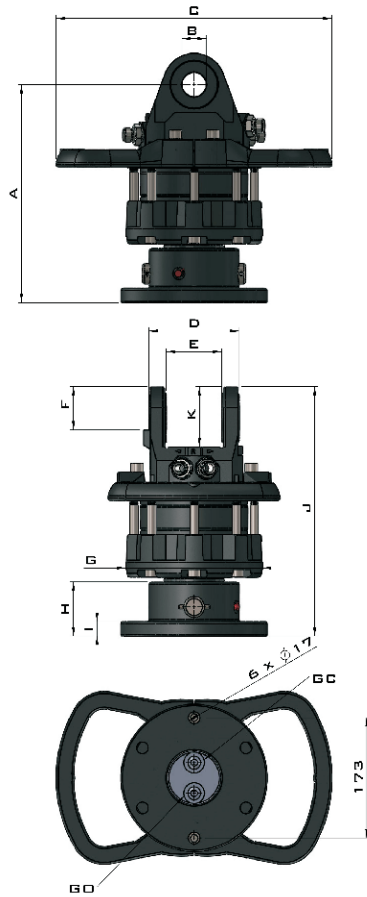


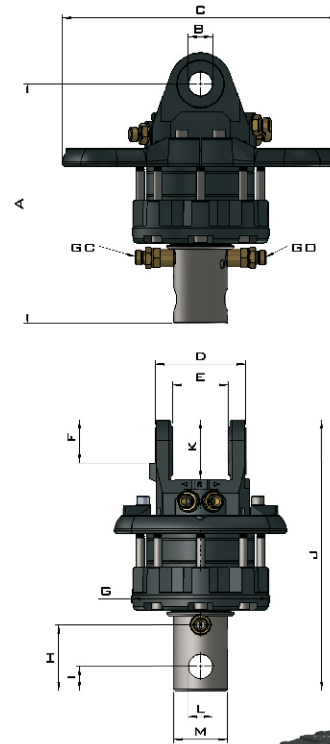
CR 600 F173



CR 600 B173



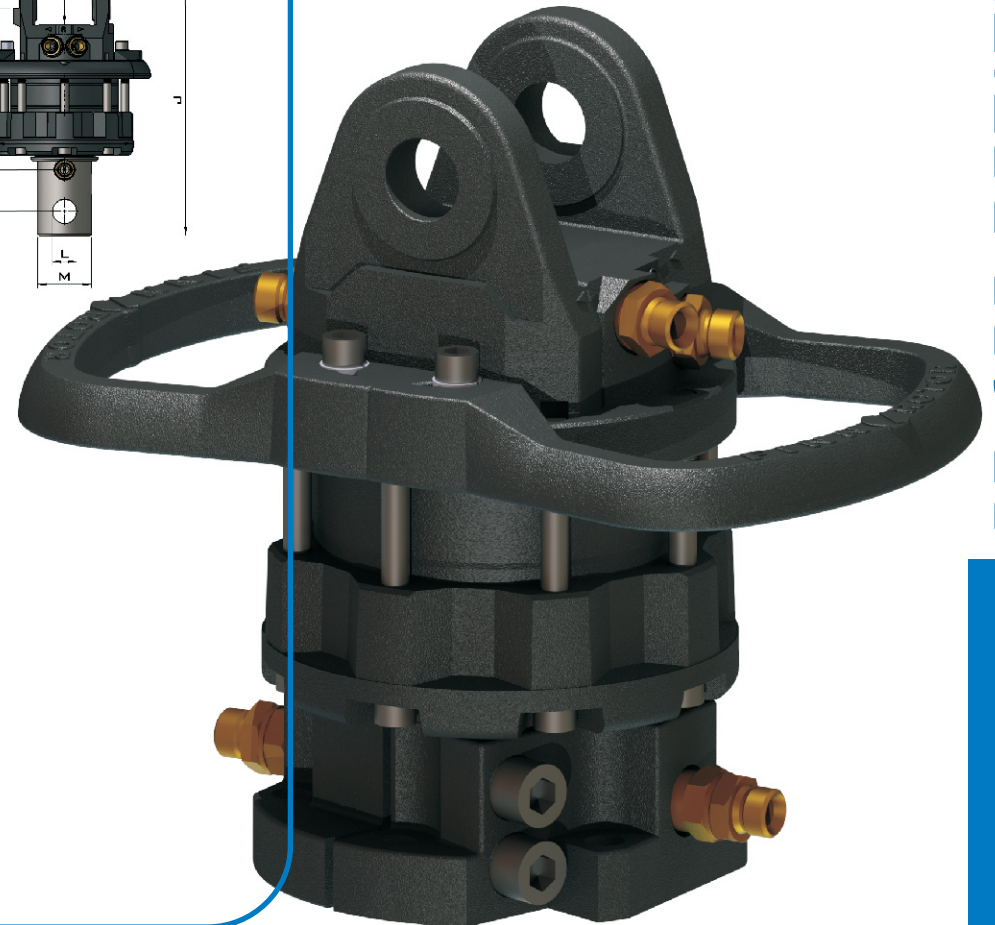
CR 600 A78



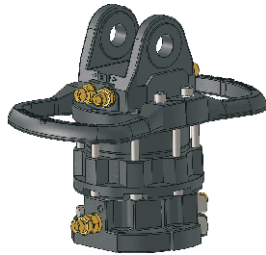
CR 600 F173	
MM	IN
A	308 12,126
B	35 1,378
C	400 15,748
D	130,5 5,138
E	80,5 3,169
F	62,5 2,461
G	198 7,795
H	77 3,031
I	30 1,181
J	353 13,898
K	87 3,425
L	
M	

CR 600 B173	
MM	IN
A	314 11,85
B	35 1,378
C	400 15,748
D	130,5 5,138
E	80,5 3,169
F	62,5 2,461
G	198 7,795
H	78 3,071
I	21 0,827
J	359 14,134
K	87 3,425

CR 600 A78	
MM	IN
A	346 13,622
B	35 1,378
C	400 15,748
D	130,5 5,138
E	80,5 3,169
F	62,5 2,461
G	198 7,795
H	95 3,740
I	35 1,378
J	359 15,354
K	87 3,425
L	35 1,378
M	78 3,071

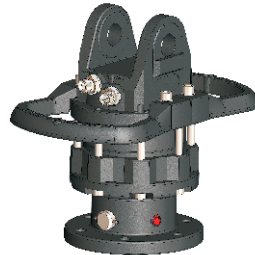


CR 600 F173



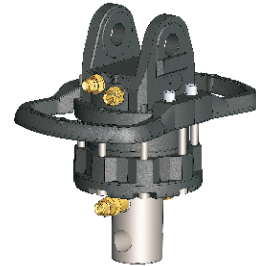
FORGET FLANGE WITH COMPRESSION FITTING AND MULTI CONNECTIONS

CR 600 B173



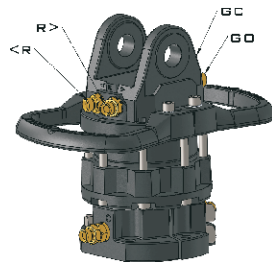
CASTED FLANGE WITH STRONGER SHAFT AND BEARING

CR 600 A78

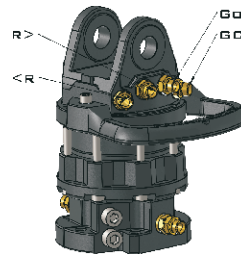


SHAFT MODEL WITH STRONGER SHAFT AND BEARING

X-VERSION



W-VERSION



ALL MODELS ARE AVAILABLE WITH X AND W -VERSION

	CR 600 F173		CR 600 B173		CR 600 A78	
	UNLIMITED		UNLIMITED		UNLIMITED	
ROTATION ANGLE						
MAX PRESSURE (R) [BAR/PSI]	250	3625	250	3625	250	3625
MAX PRESSURE (GO) [BAR/PSI]	200	2900	200	2900	200	2900
MAX PRESSURE (GC) [BAR/PSI]	300	4350	300	4350	300	4350
DISPLACEMENT [CM <sup>3</sup> /IN <sup>3</sup> ]	670	40,9	670	40,9	670	40,9
TORQUE [NM/LB-FT]	1800	664	1800	811	1800	811
MAX AXIAL LOAD STAT [KN/LBF]	60	13489	80	17985	80	17985
MAX AXIAL LOAD DYN [KN/LBF]	30	6744	40	8992	40	8992
WEIGHT [KG/LB] W-MODEL	48	106	45	99	38	83,6
X-MODEL	50	110	48	105,6	41	90,2
CONNECTIONS (TOP)	G 1/2"	G 1/2"	G 1/2"	G 1/2"	G 1/2"	G 1/2"
(BOTTOM)	G 1/2"	G 1/2"	G 1/2"	G 1/2"	G 1/2"	G 1/2"
REQ. OIL FLOW [LPM/GPM]	20	5,284	20	5,284	20	5,284



SELECT A CR 600 SERIES WHEN YOU NEED THE BEST PRODUCTIVITY AND POWER.

A LIGHT-WEIGHT AND EFFECTIVE HYDRAULIC ROTATORS WITH UNLIMITED ROTATION FOR CARGO AND FOREST CRANES.

CHOOSE GENUINE FINN ROTOR ORIGINAL ACCESSORIES TO ENSURE SMOOTH WORKING. FROM THE WIDE VARIETY, YOU WILL FIND ALL NECESSARY ACCESSORIES.

*get Your crane moving!*



*get Your crane moving!*

WWW.FINN-ROTOR.COM  
INFO@FINN-ROTOR.COM  
+358 14 417 8400

PL 96,43101 SAARIJÄRVI  
FINLAND