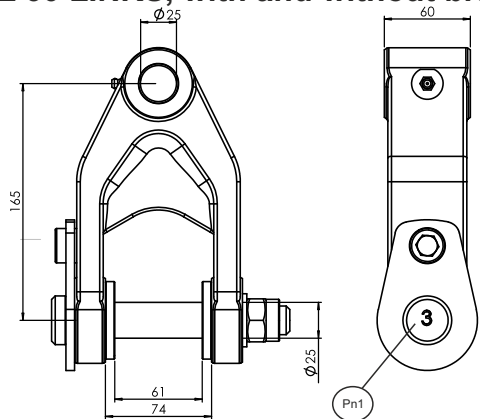


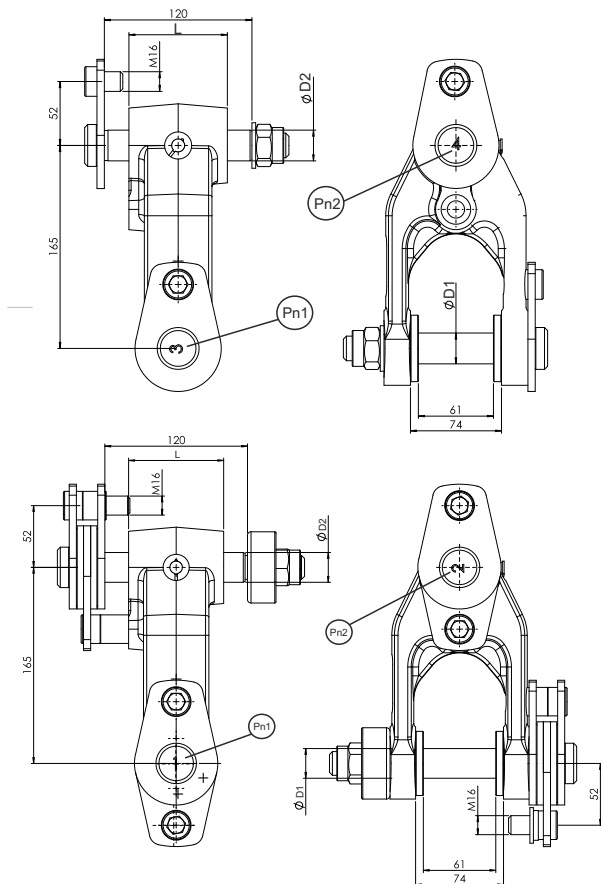
CL 60 LINKS, with and without brake



Max axial load static 45 kN
 Max axial load dynamic 25 kN
 Weight 6 kg
 Braking force (option) 120 Nm

Order no 70441-400
 70440-400
Item name LINK CL 7325-6025
 BRAKELINK CBL 7325-6025

CL 73 LINKS, with and without brake



Max axial load static 55 kN
 Max axial load dynamic 25 kN
 Weight 8-11 kg
 Braking force (option) 120 Nm

Order no	Item name	L	D1	D2
70448-xB	LINK CL 7325-8025	80	25	25
70443-xB	LINK CL 7325-9025	90	25	25
70444-xB	LINK CL 7325-8030	80	25	30
70445-xB	LINK CL 7325-9030	90	25	30
70449-xB	LINK CL 7330-8030	80	30	30
770443-xB	LINK CL 7330-9030	90	30	30
704432-xB	LINK CL 7330-9025	90	30	25

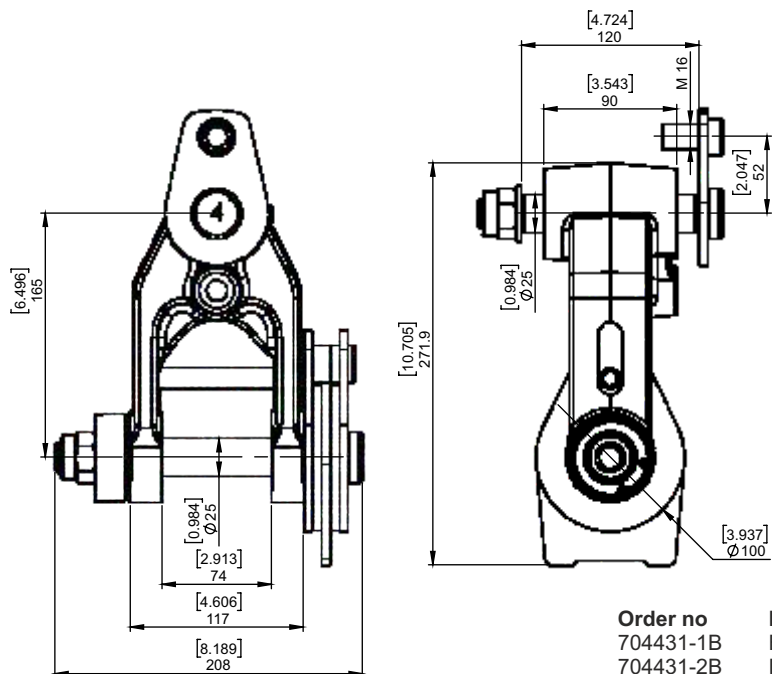
x) number of brakes
 0= no brakes
 1= lower brake
 2= double brake (lower and upper brake)



ENGLISH CL 60 AND 73 LINKS

4,5 - 5,5 TON LINKS

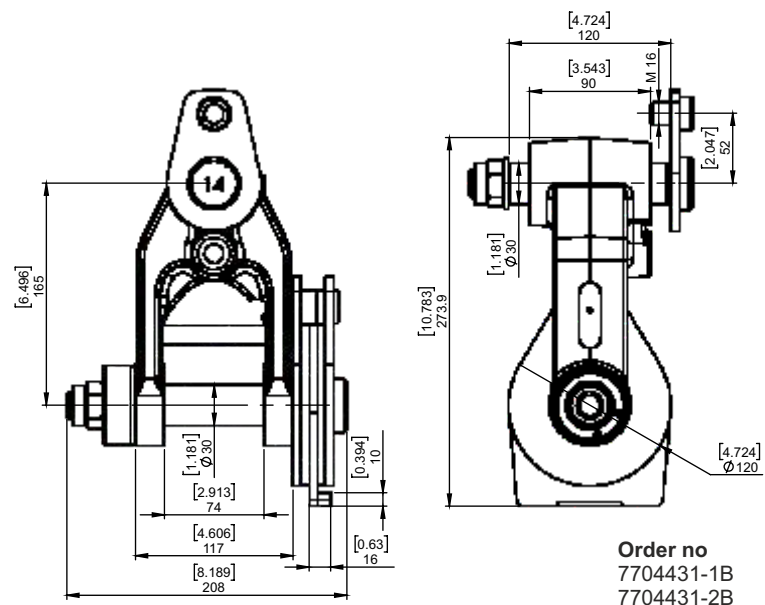
CBL 7325-9025(D100) for CR 400 rotators



Max axial load static	45 kN
Max axial load dynamic	25 kN
Weight	11 kg
Braking force (lower brake)	150 Nm
Braking force (upper brake)	120 Nm

Order no	Item name
704431-1B	BRAKELINK CBL 7325-9025(D100)
704431-2B	DOUBLE BRAKELINK CDBL 7325-9025(D100)

CBL 7330-9030(D120) for CR 500 rotators



Max axial load static	45 kN
Max axial load dynamic	25 kN
Weight	12 kg
Braking force (lower brake)	200 Nm
Braking force (upper brake)	120 Nm

Order no	Item name
7704431-1B	BRAKELINK CBL 7330-9030(D120)
7704431-2B	DOUBLE BRAKELINK CDBL 7330-9030(D120)

FINN ROTOR
CR-ROTATORS

Select a CL SERIES links, with or without brakes, when you need the best loading control.

Choose genuine Finn-Rotor original accessories to ensure smooth working. From the wide variety, you will find all necessary accessories.

FINN ROTOR

get Your crane moving!

WWW.FINN-ROTOR.COM
INFO@FINN-ROTOR.COM
+358 14 417 8400

PL 96,43101 SAARIJÄRVI
FINLAND