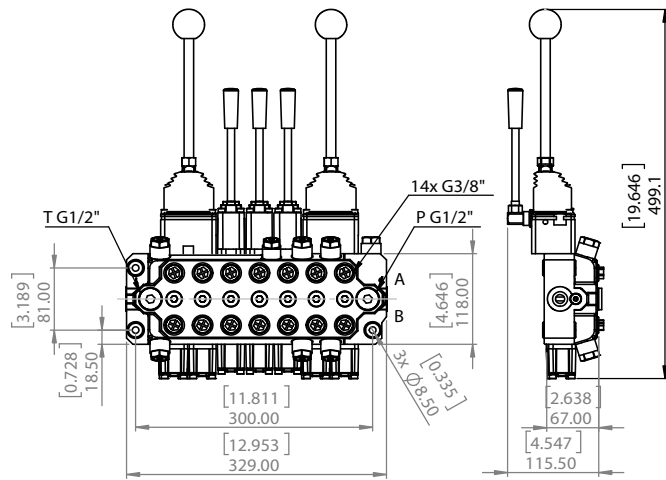
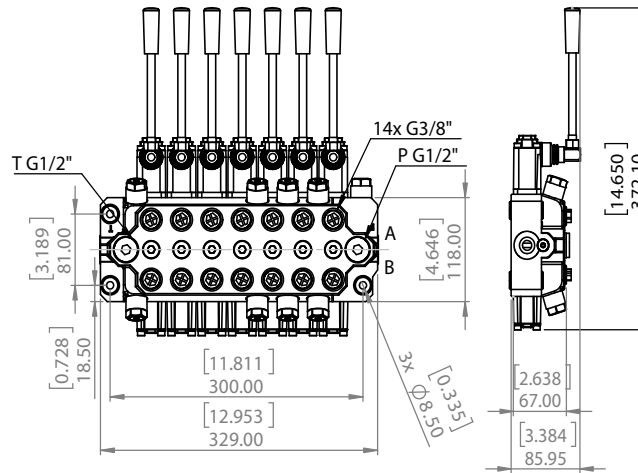


# TECHNICAL LEAFLET, CRV 607 VALVES MECHANICAL CONTROLS

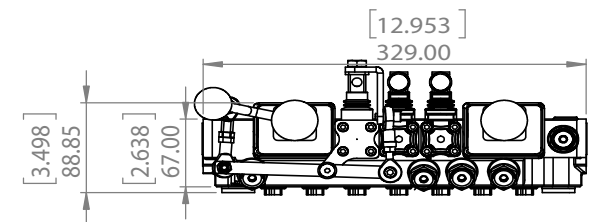
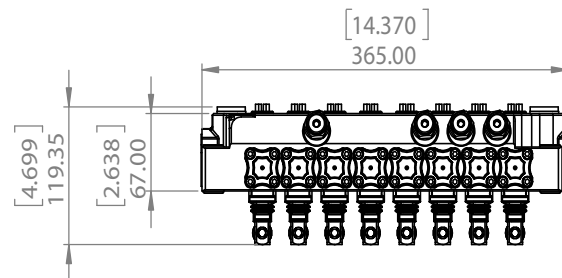
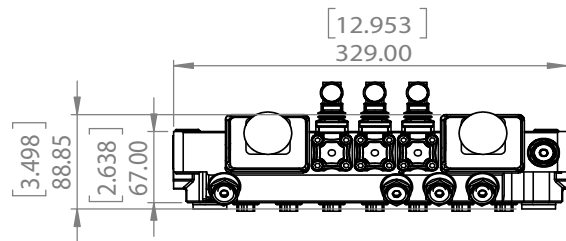
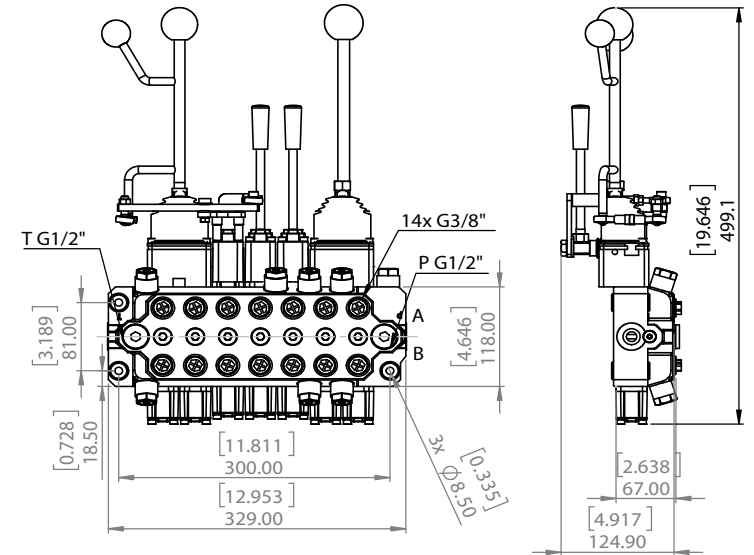
100798N CRV 607 2-LEVER VALVE



100771N CRV 607 MULTILEVER VALVE



100803N CRV 607 2-LEVER (3 KOORD) VALVE



## CRV 607 HYDRAULIC VALVE

7-Spool hydraulic control valve for agriculture and forestry loaders and cranes.

Weight 19 kg

Max pressure	250 bar
Max oil flow	60 LPM
Max return line pressure	10 bar
Max oil temperature	+60 °C
Min oil temperature	-20 °C