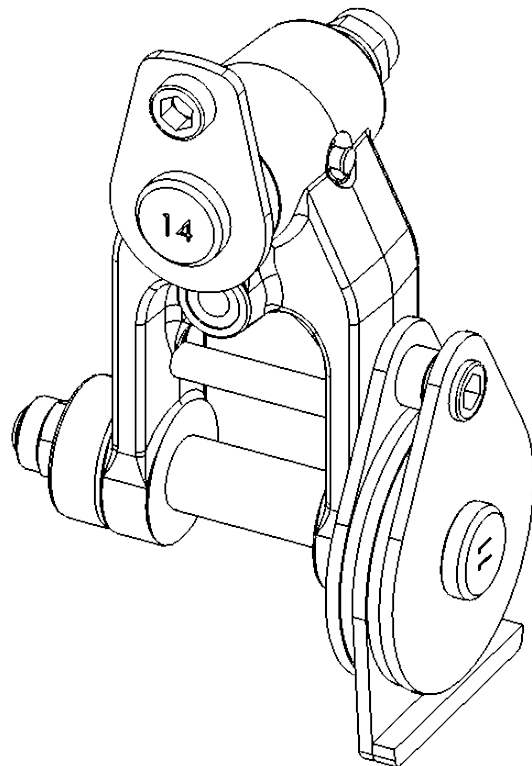
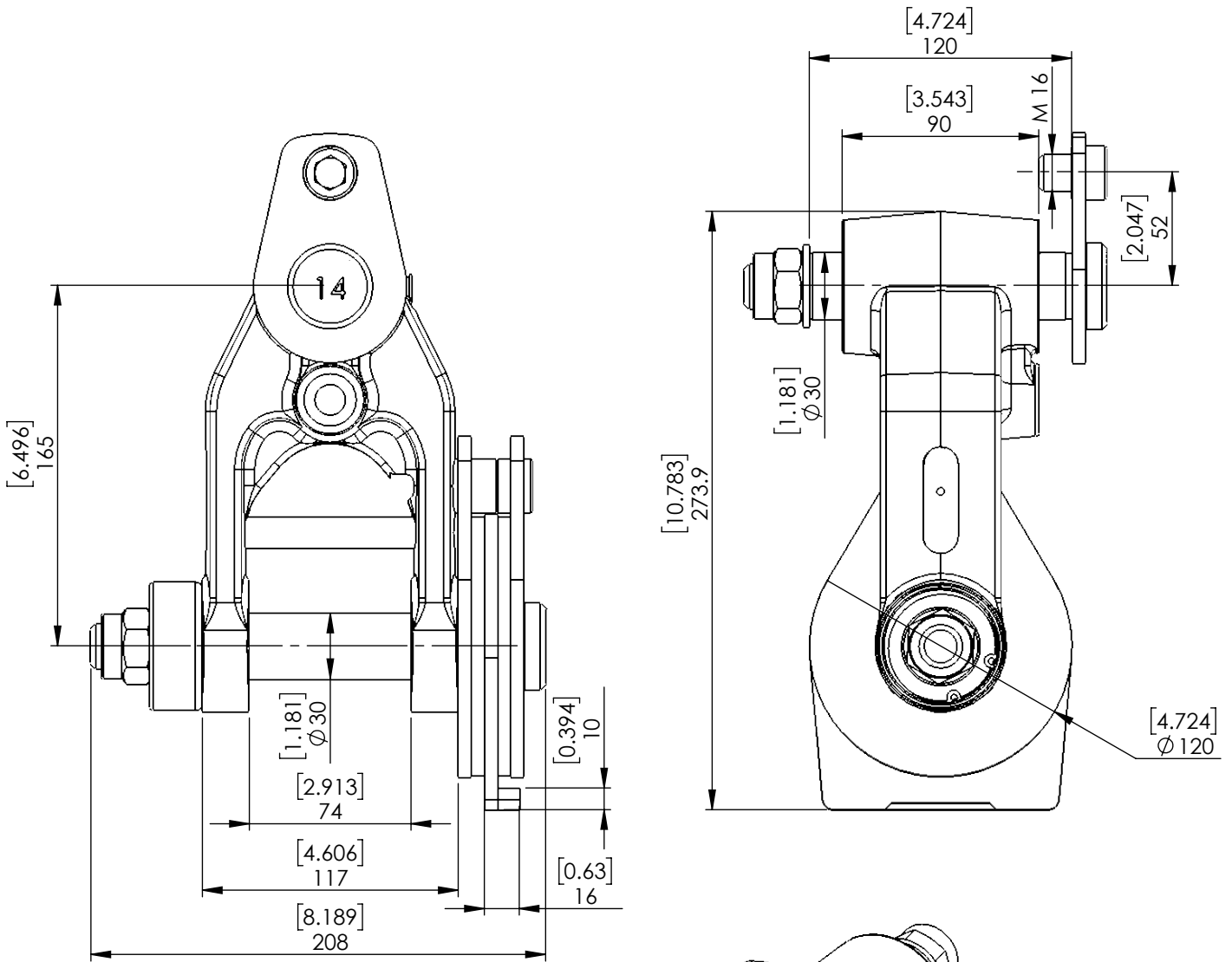


# CBL 7330-9030(D120) Brake link



MAX AXIAL LOAD STATIC [KN/lbf]	55	12364
MAX AXIAL LOAD DYNAMIC [KN/lbf]	25	5620
WEIGHT [kg/lb]	8.6	19