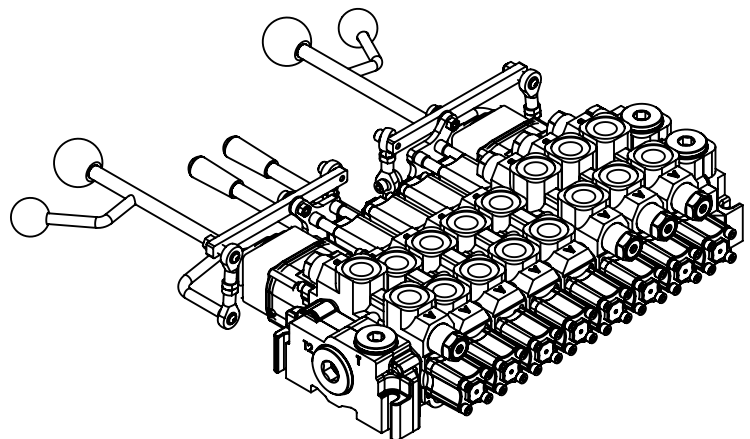
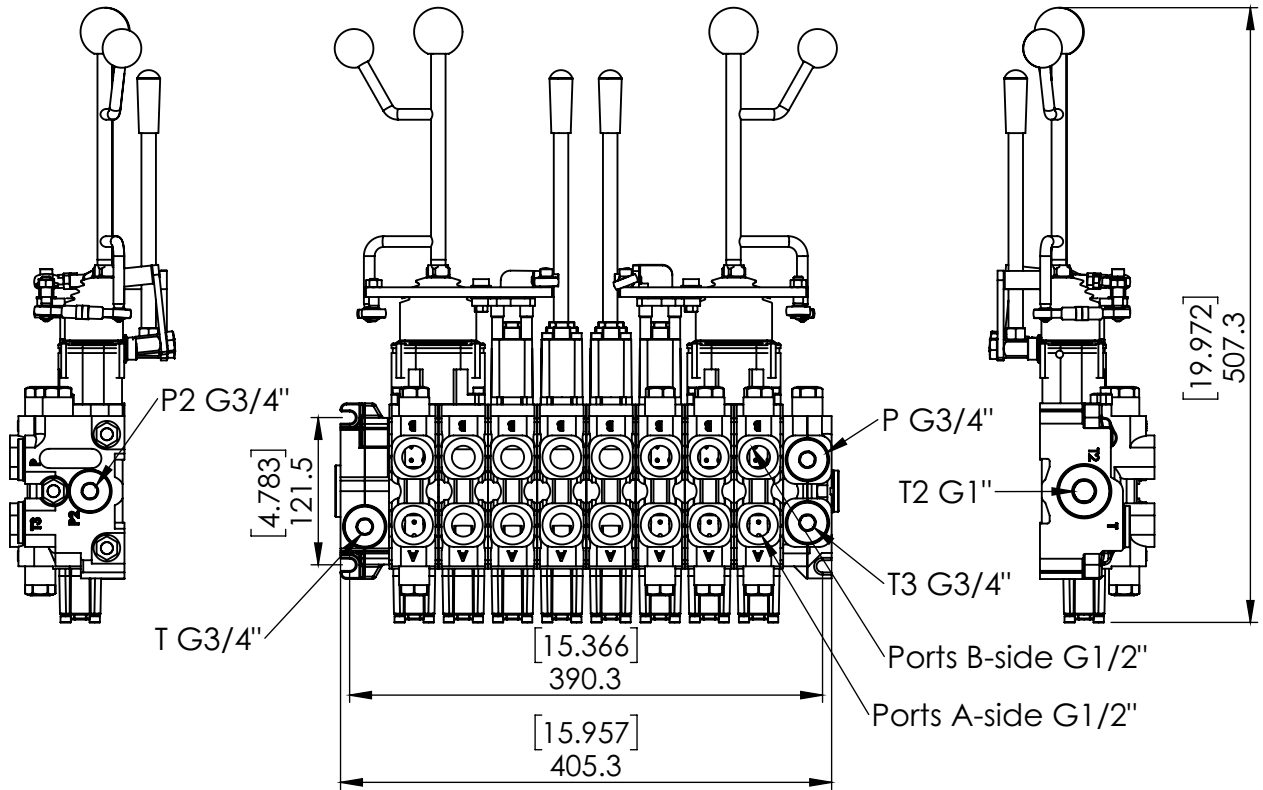
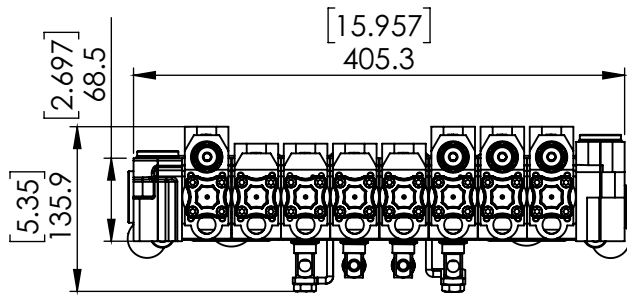


# 75800-83 CRV 808 2V+



MAX FLOW	80	LPM
MAX OPERATING PRESSURE	250	BAR
MAX TANK LINE PRESSURE	10	BAR
MAX OPERATING TEMP	+60	C
MIN OPERATING TEMP	-20	C
SERVO CONTROL PRESSURE	25-30	BAR