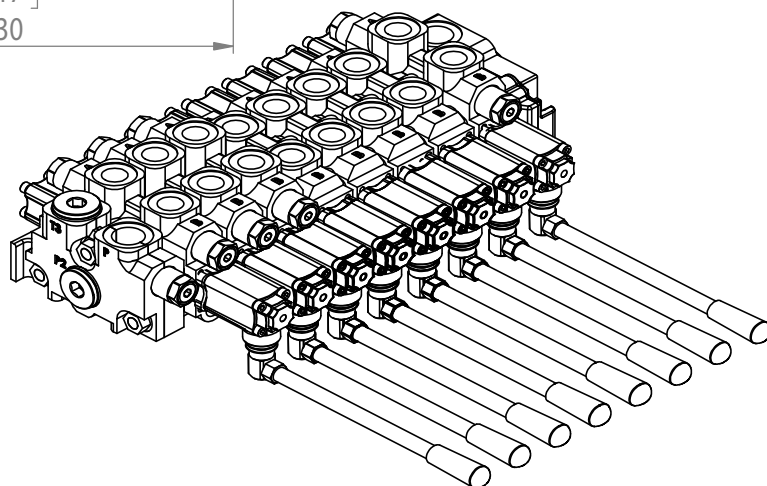
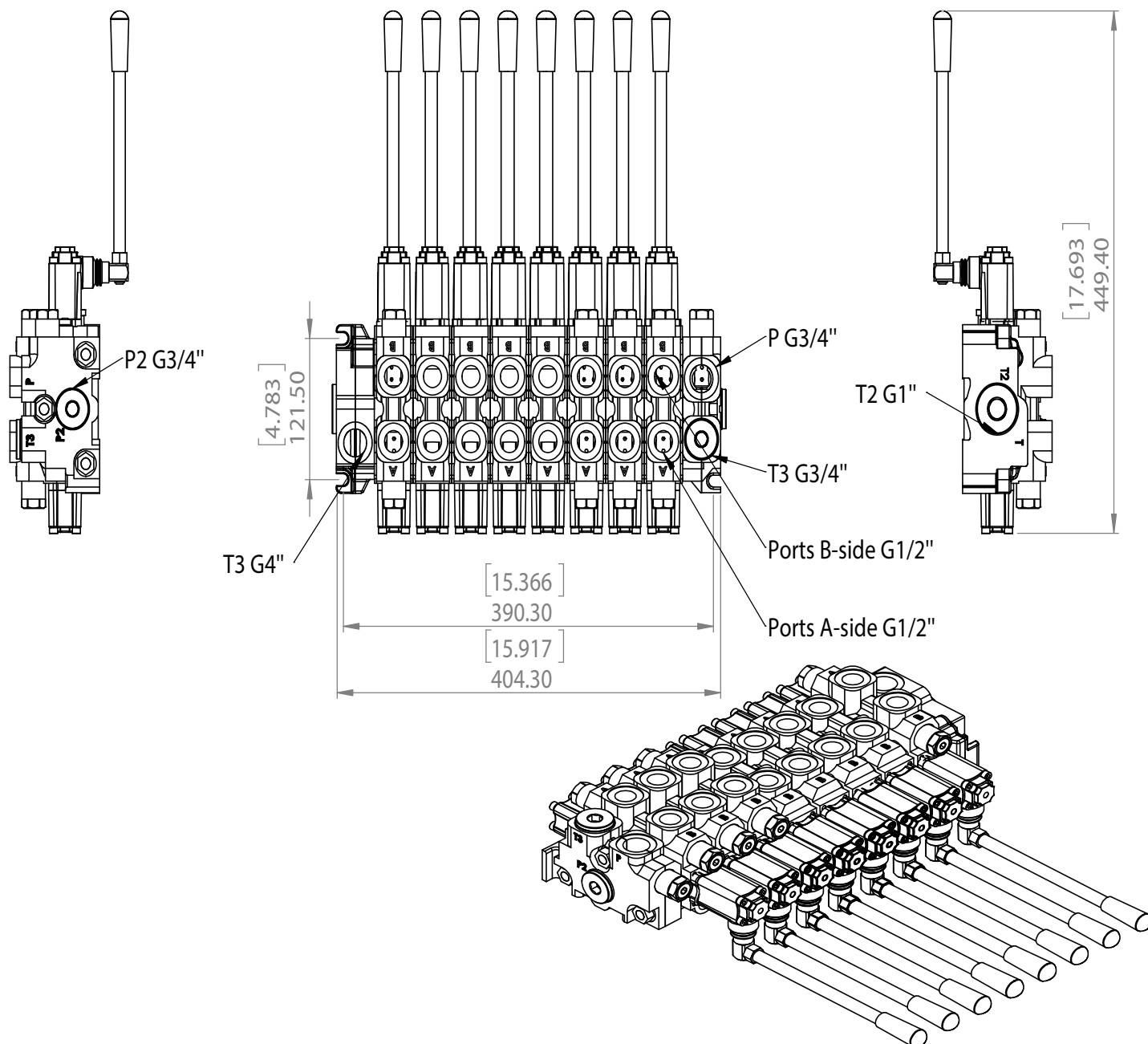
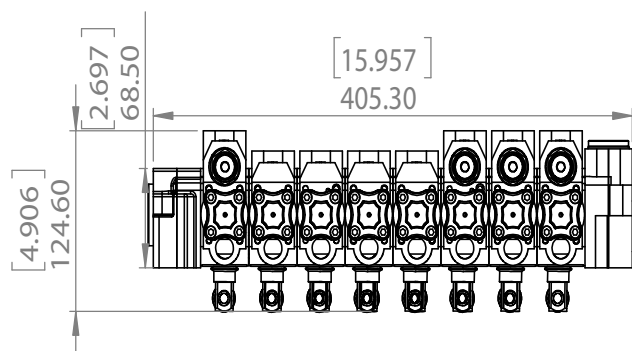


75800-81 CRV 80/8 MULTILEVER



Max flow	80 LPM
Max operating pressure	250 bar
Max tank line pressure	10 bar
Max operating temp	+60 C
Min operating temp	-20 C
Servo control pressure	25-30 bar