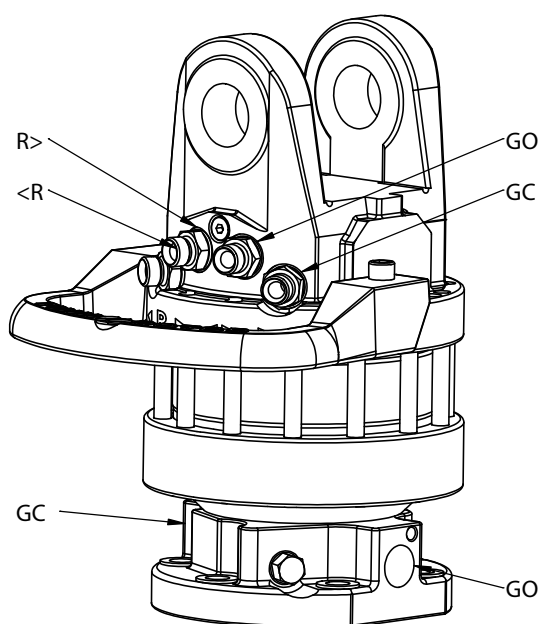
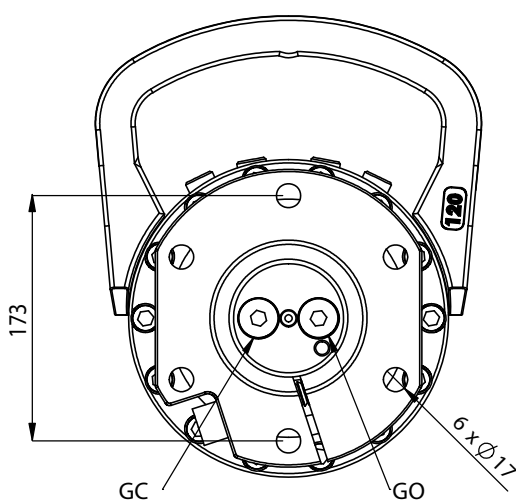
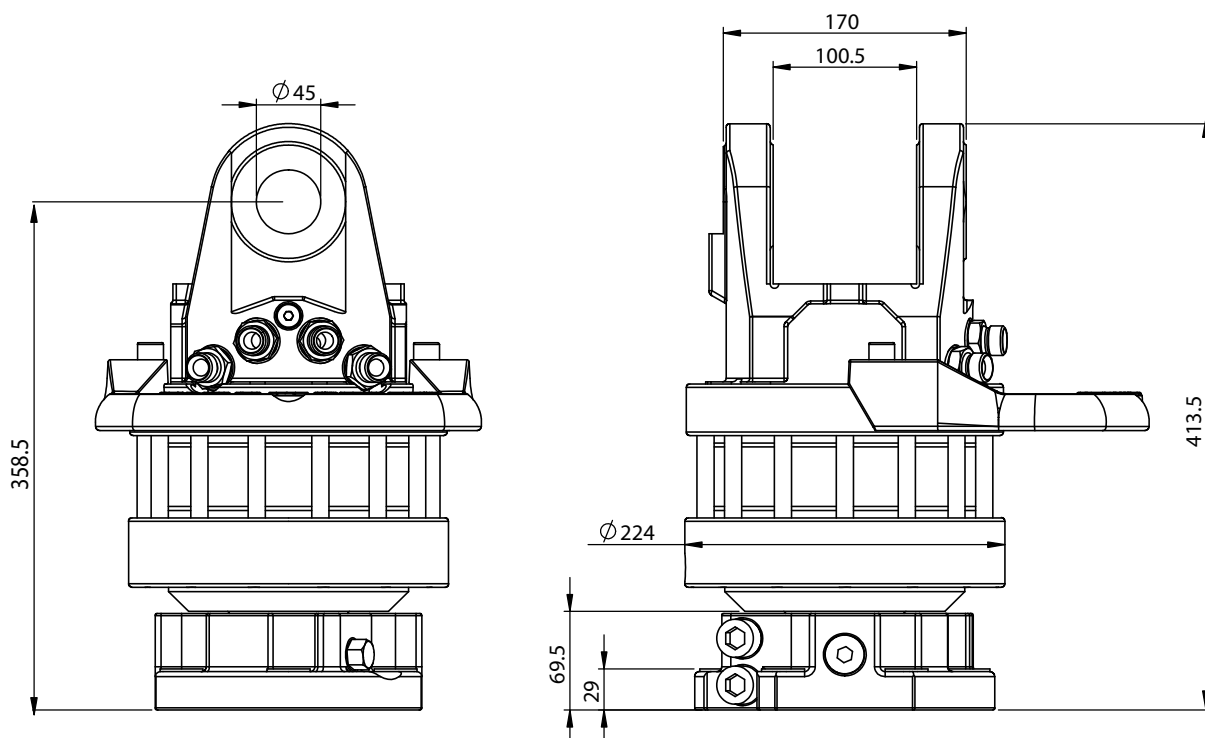


71701-333 CR 1700-W45F173-333



Rotation angle
 Max pressure (R)
 Max pressure grapple open (GO)
 Max pressure grapple close (GC)
 Capacity
 Torque (250 bar)
 Max axial load static
 Max axial load dynamic
 Weight
 Connections
 Max oil flow
 Connectors

Unlimited
 250 bar
 300 bar
 300 bar
 1000 cm³
 3300 Nm
 160 kN
 60 kN
 67 kg
 G1/2
 25 LPM
 PSB G1/2

