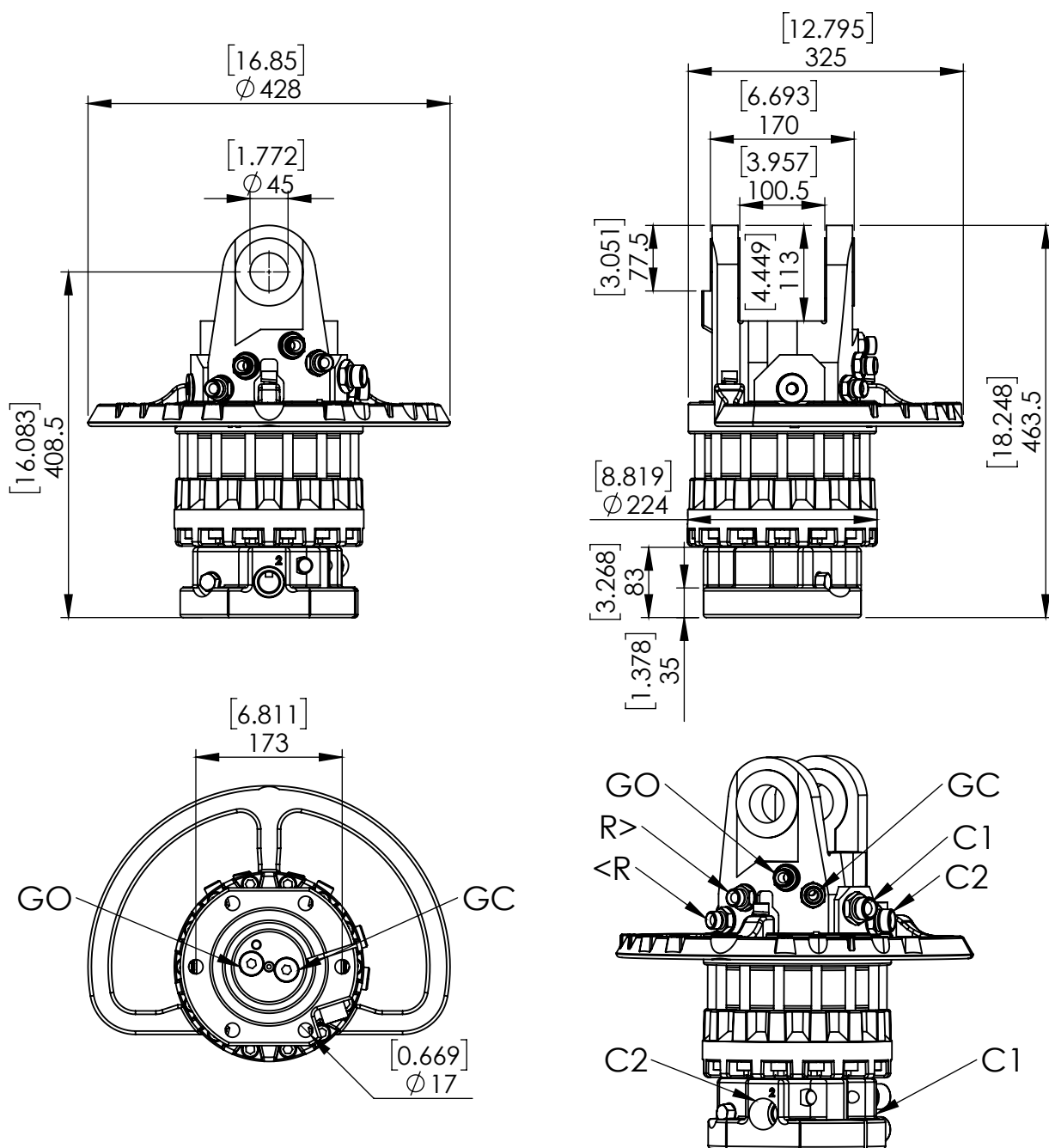


71221-333 CRS 1200H-C4-W45F173-333



Rotation angle	Unlimited
Max pressure (R)	250 bar
Max pressure grapple open (GO)	200 bar
Max pressure grapple close (GC,C1,C2)	300 bar
Capacity	949 cm ³
Torque (250 bar)	2900 Nm
Max axial load static	120 kN
Max axial load dynamic	60 kN
Weight	78 kg
Connections	G1/2 G3/4
Max oil flow	25 LPM
Connectors	BSP G1/2" BSP G3/4

