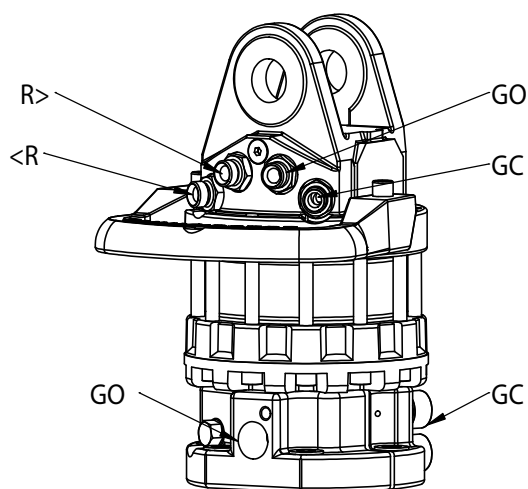
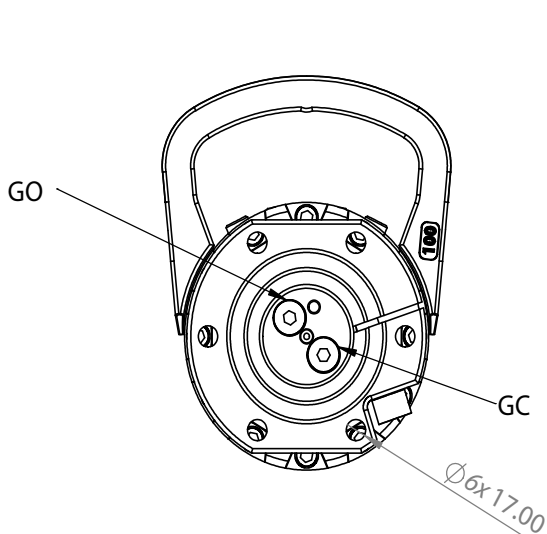
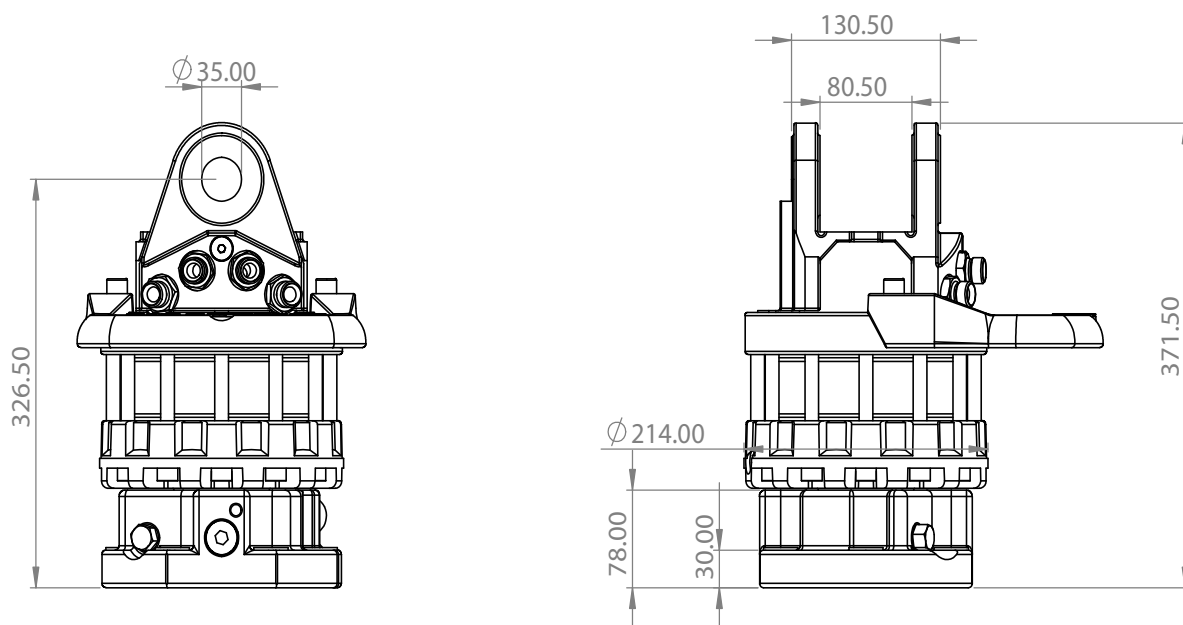


71101-333 CR 1100-W35F173-333



Rotation angle
 Max pressure (R)
 Max pressure grapple open (GO)
 Max pressure grapple close (GC)
 Capacity
 Torque (250 bar)
 Max axial load static
 Max axial load dynamic
 Weight
 Connections
 Max oil flow
 Connectors

Unlimited
 250 bar
 300 bar
 300 bar
 810 cm³
 2700 Nm
 100 kN
 50 kN
 56 kg
 G1/2
 25 LPM
 BSP G1/2"

