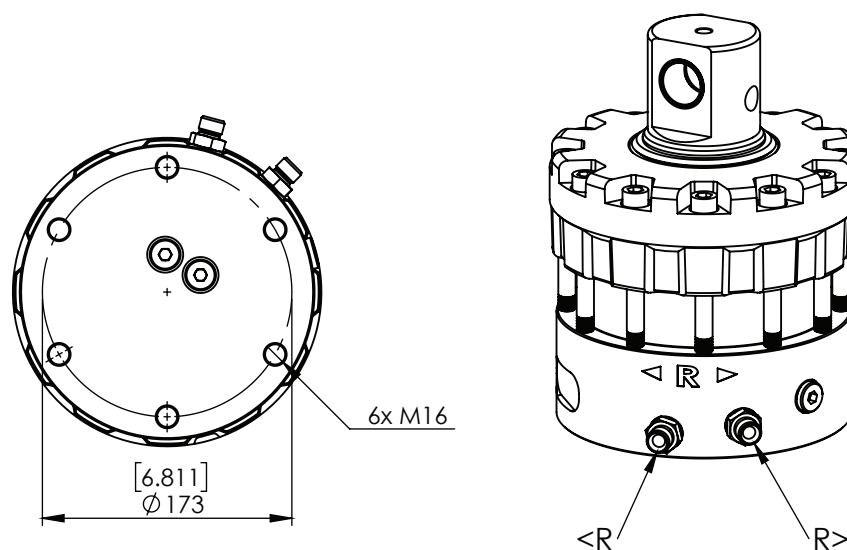
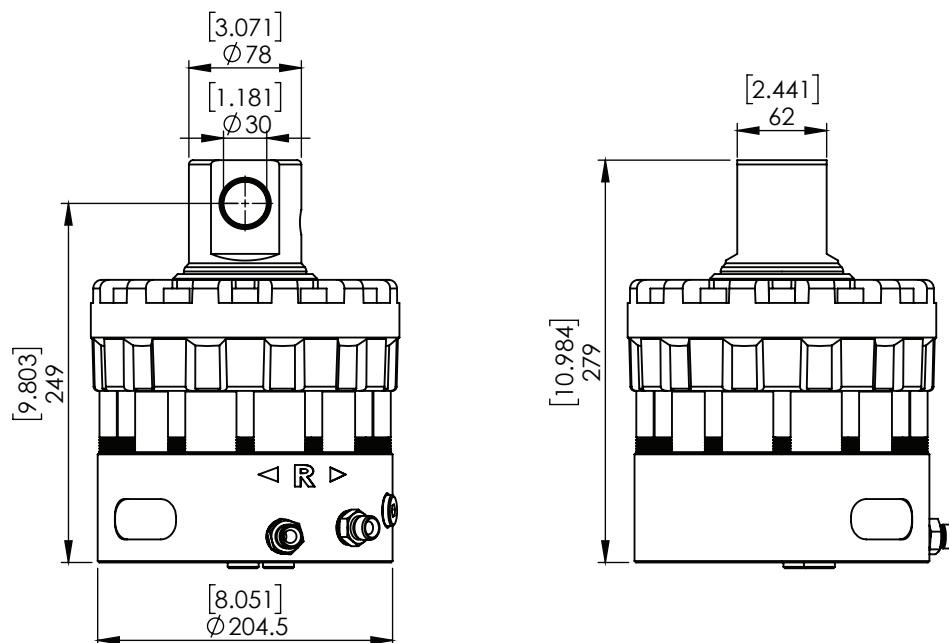


## 71050-HD FR 23Mc



Rotation angle	Unlimited
Max pressure (R)	250 bar
Max pressure grapple open (GO)	300 bar
Max pressure grapple close (GC)	300 bar
Capacity	810 cm <sup>3</sup>
Torque (250 bar)	2700 Nm
Max axial load static	100 kN
Max axial load dynamic	50 kN
Weight	45 kg
Connections	G1/2
Max oil flow	25 LPM
Connectors	-

