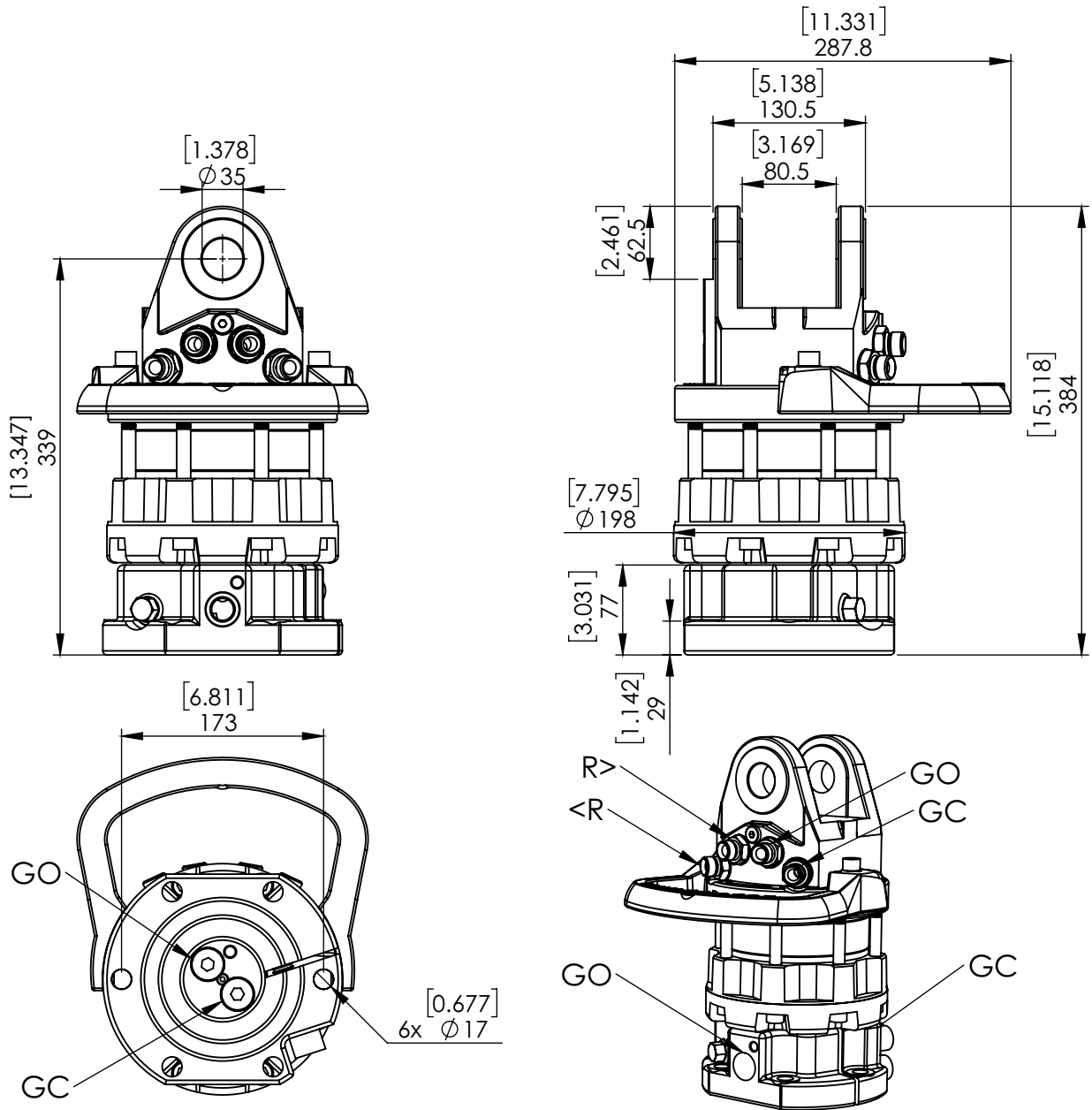


70801 CRH 800-W35F173



ROTATION ANGLE

UNLIMITED

MAX PRESSURE (R) [BAR/PSI]

250 3626

MAX PRESSURE (GO) [BAR/PSI]

300 4351

MAX PRESSURE (GC) [BAR/PSI]

300 4351

DISPLACEMENT [cm³/Inch³]

670 41

TORQUE [Nm/lbf-ft]

2000 1475

MAX AXIAL LOAD STATIC [KN/lbf]

80 17985

MAX AXIAL LOAD DYNAMIC [KN/lbf]

40 8992

MAX AXIAL NEGATIVE LOAD STATIC [KN/lbf]

40 8992

MAX AXIAL NEGATIVE LOAD DYNAMIC [KN/lbf]

20 4496

WEIGHT [kg/lb]

54 119

CONNECTIONS

G1/2" G1/2"

REQ. OIL FLOW FOR ROTATION [LPM/GPM]

25 6.6