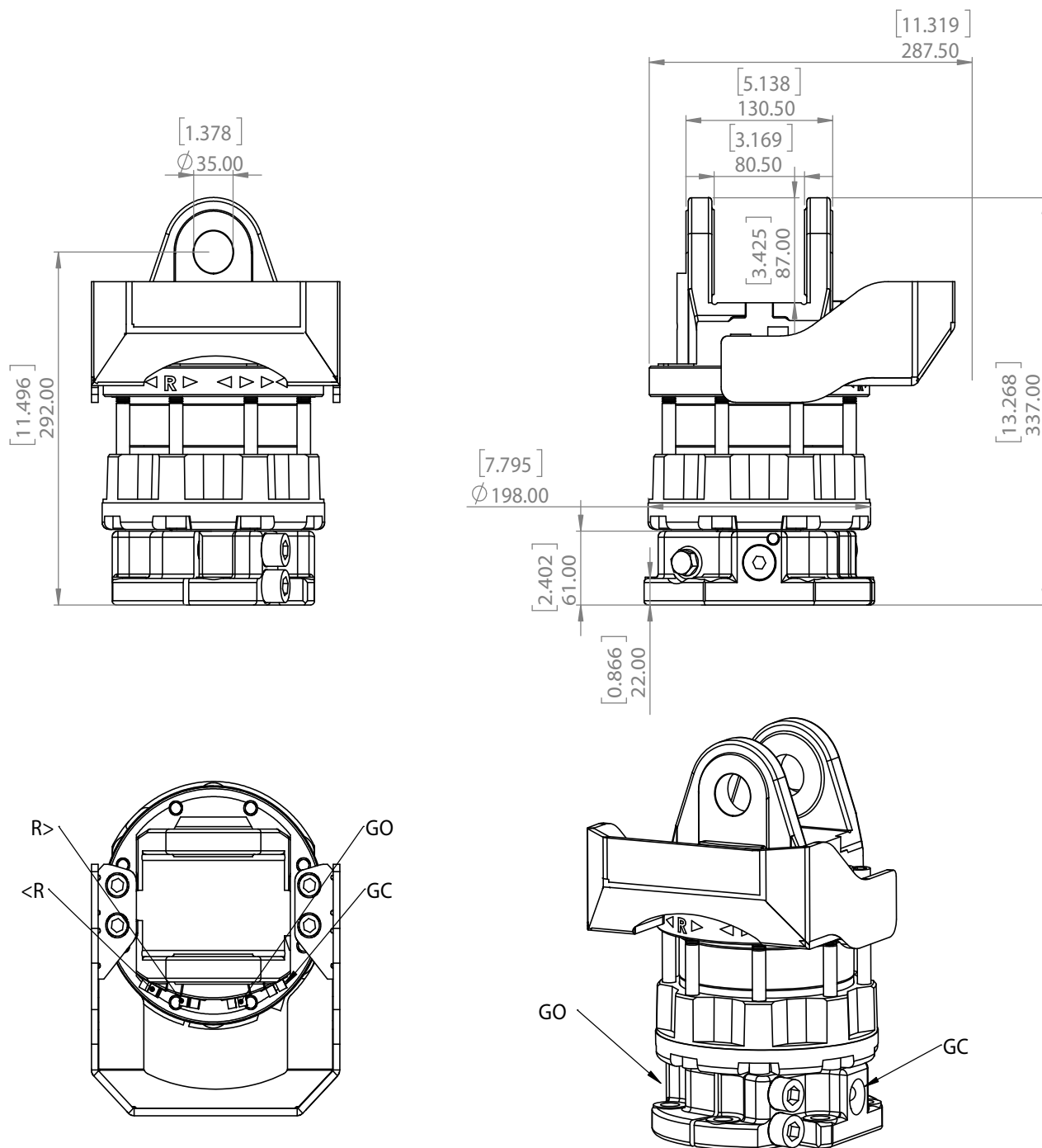


## 70650L-00S CRH 610L-W35F173-00S



Rotation angle  
 Max pressure (R)  
 Max pressure grapple open (GO)  
 Max pressure grapple close (GC)  
 Capacity  
 Torque (250 bar)  
 Max axial load static  
 Max axial load dynamic  
 Weight  
 Connections  
 Max oil flow  
 Connectors

Unlimited  
 250 bar  
 200 bar  
 300 bar  
 670 cm<sup>3</sup>  
 1800 Nm  
 60 kN  
 30 kN  
 45 kg  
 G1/2  
 20 LPM  
 -

