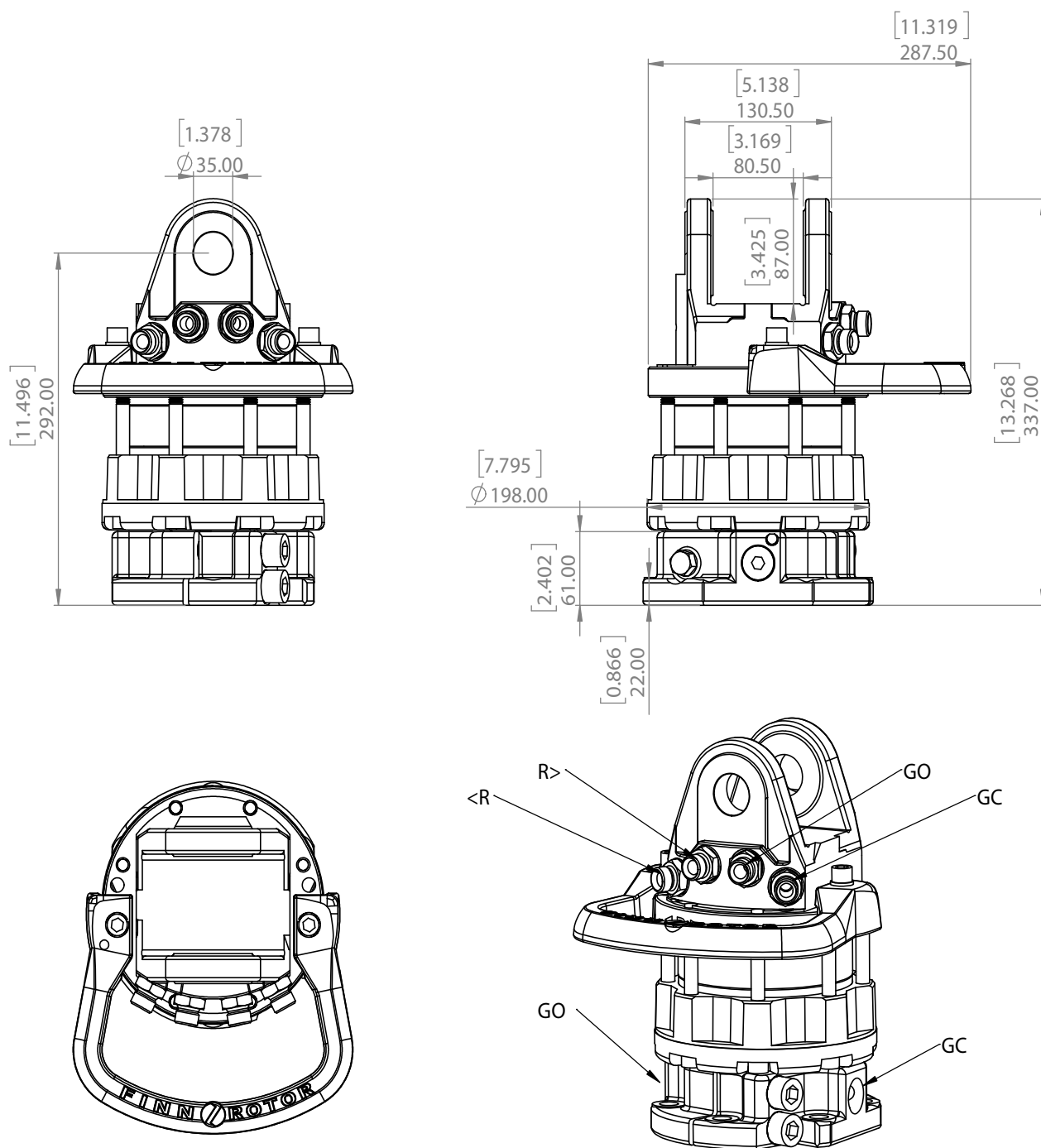


70650-333 CRH 610-W35F173-334



Rotation angle
 Max pressure (R)
 Max pressure grapple open (GO)
 Max pressure grapple close (GC)
 Capacity
 Torque (250 bar)
 Max axial load static
 Max axial load dynamic
 Weight
 Connections
 Max oil flow
 Connectors

Unlimited
 250 bar
 200 bar
 300 bar
 670 cm³
 1800 Nm
 60 kN
 30 kN
 45 kg
 G1/2
 20 LPM
 BSP G1/2" - JIC9/16-18

