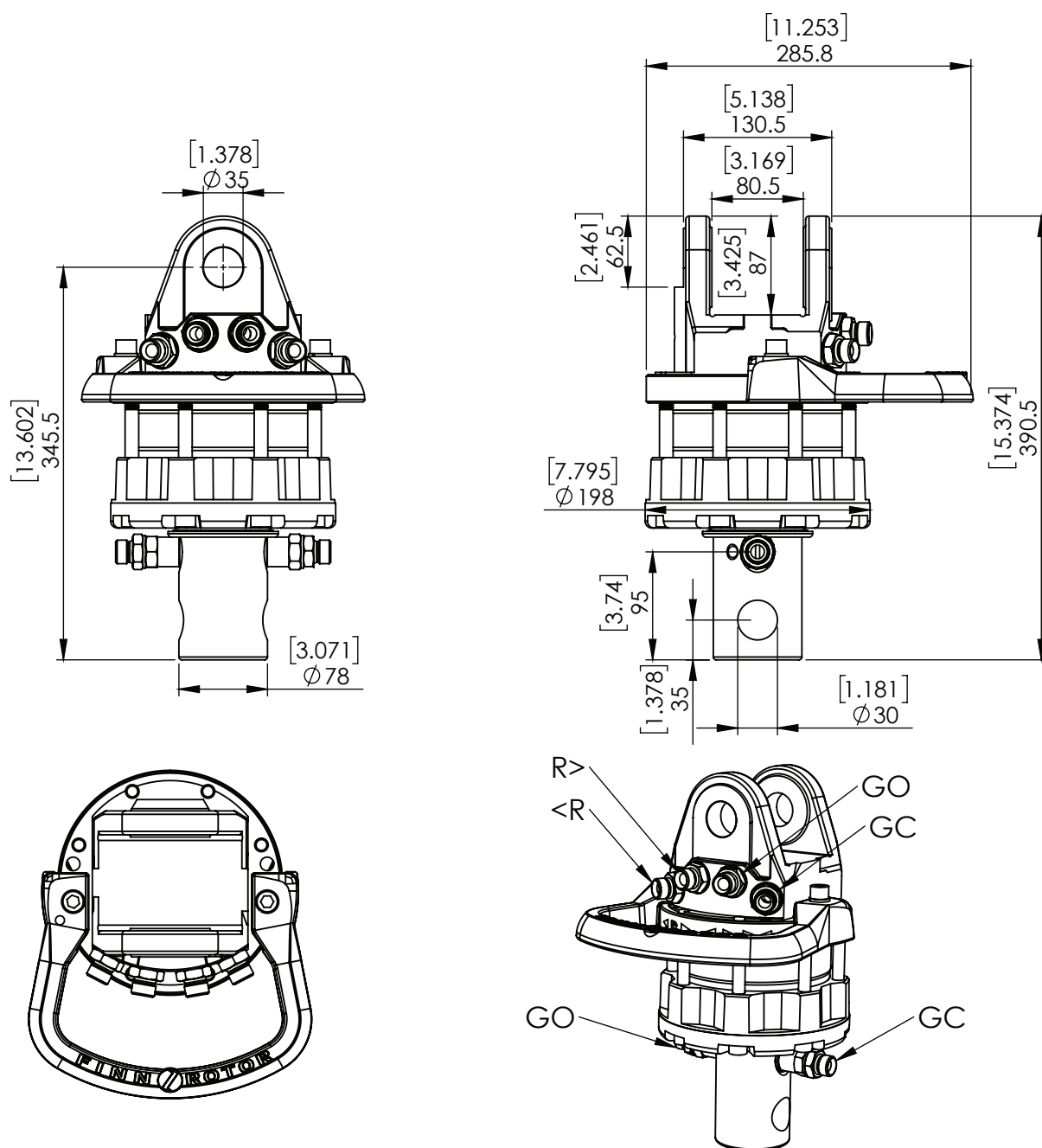


70605-333 CR 600-W35A30(D68)-333



| | |
|---------------------------------|---------------------|
| Rotation angle | Unlimited |
| Max pressure (R) | 250 bar |
| Max pressure grapple open (GO) | 200 bar |
| Max pressure grapple close (GC) | 300 bar |
| Capacity | 670 cm ³ |
| Torque (250 bar) | 1800 Nm |
| Max axial load static | 60 kN |
| Max axial load dynamic | 30 kN |
| Weight | 37 kg |
| Connections | G1/2 |
| Max oil flow | 20 LPM |
| Connectors | BSP G1/2" |

