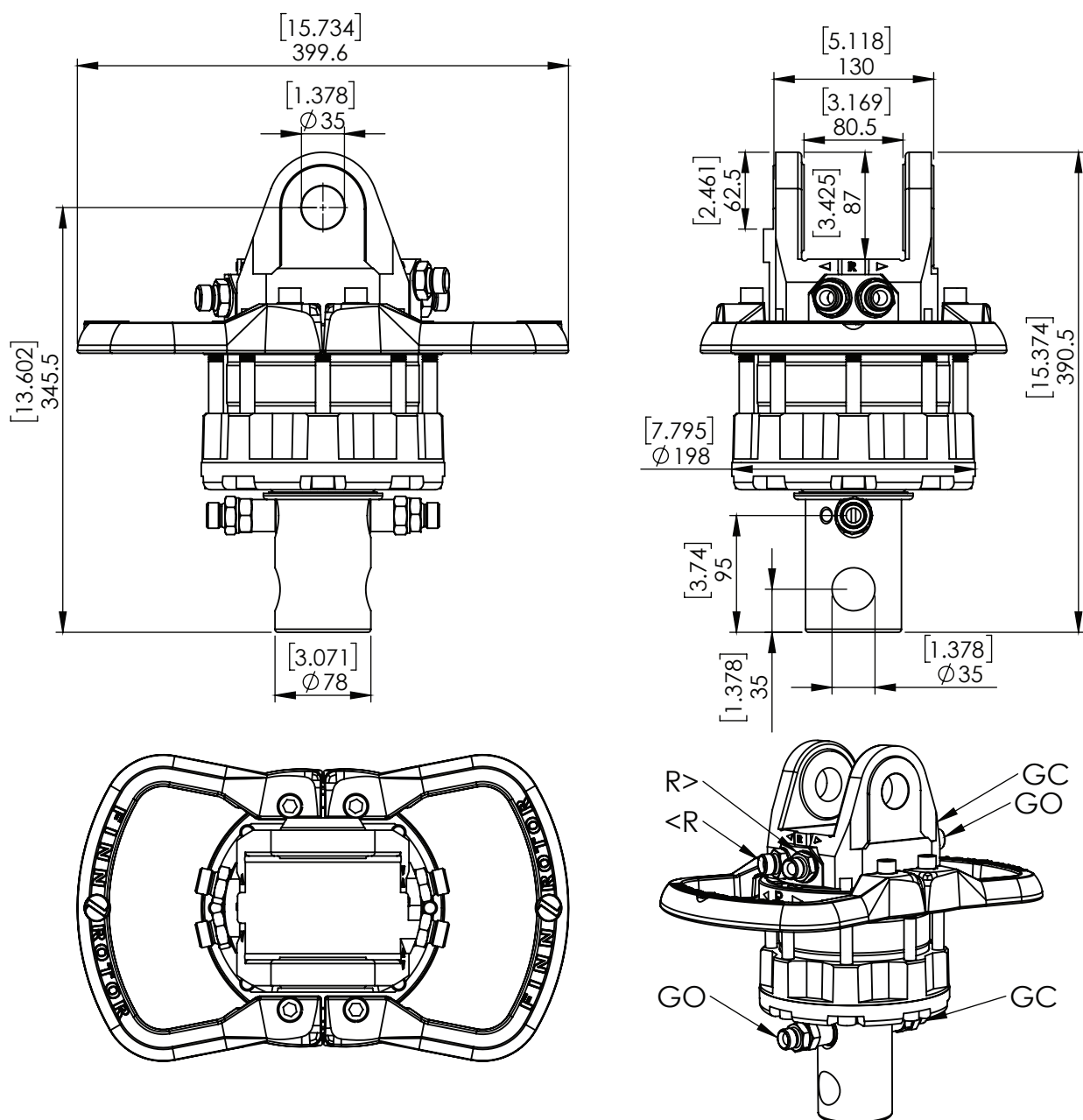


70603-333 CR 600-X35A33(D78)-333



Rotation angle	Unlimited
Max pressure (R)	250 bar
Max pressure grapple open (GO)	200 bar
Max pressure grapple close (GC)	300 bar
Capacity	670 cm ³
Torque (250 bar)	1800 Nm
Max axial load static	60 kN
Max axial load dynamic	30 kN
Weight	42 kg
Connections	G1/2
Max oil flow	20 LPM
Connectors	PSB G1/2

