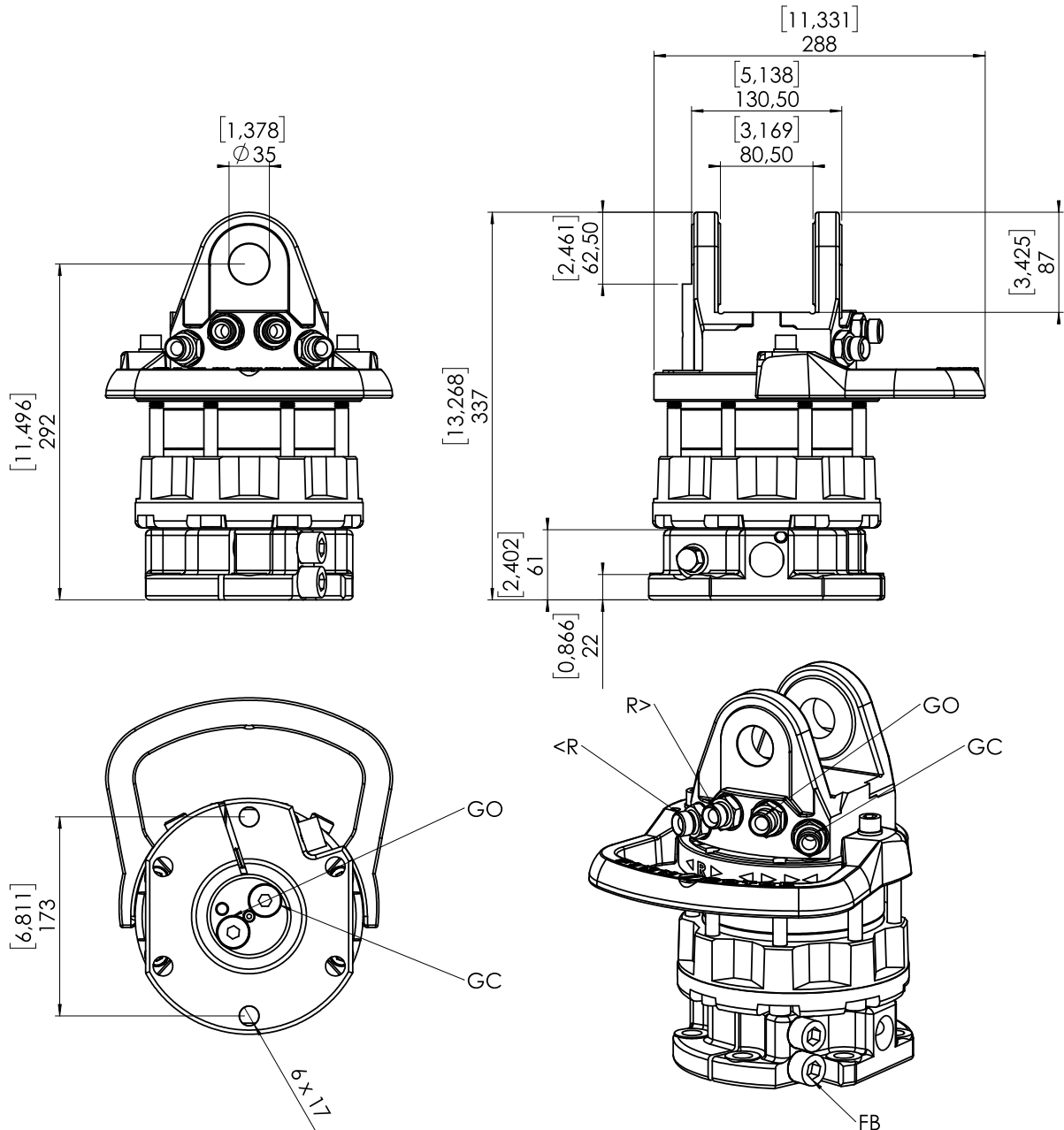


70601S CR 600S-W35F173



Rotation angle	Unlimited
Max rotation pressure (R)	250 bar
Maximum working pressure with the grapple open (GO)	200 bar
Maximum working pressure with the grapple closed (GC)	300 bar
Capacity	670 cm ³
Torque (250 bar)	1800 Nm
Maximum axial load (static)	60 kN
Maximum axial load (dynamic)	30 kN
Weight	45 kg
Connections	G1/2"
Stud bolts	M12
Tightening torque	125 Nm
Flange bolt (FB)	M18
Tightening torque	440 Nm
Recommed oil flow	25 lpm