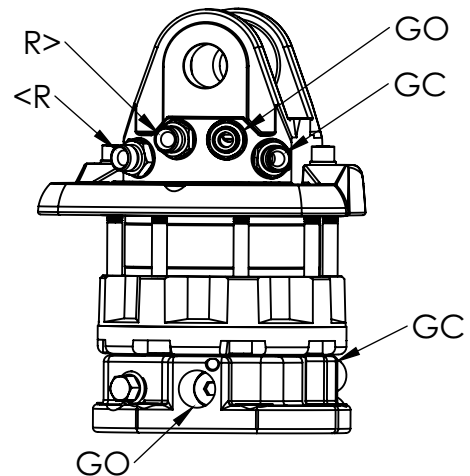
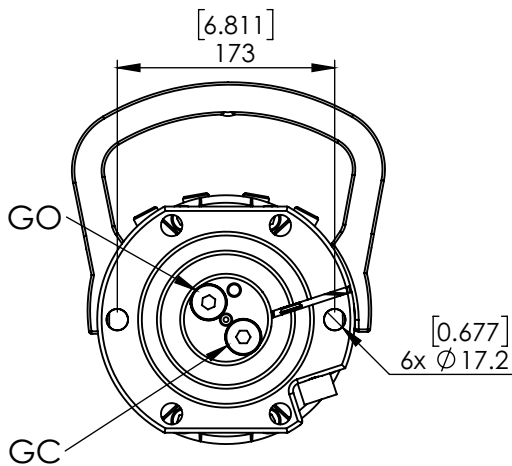
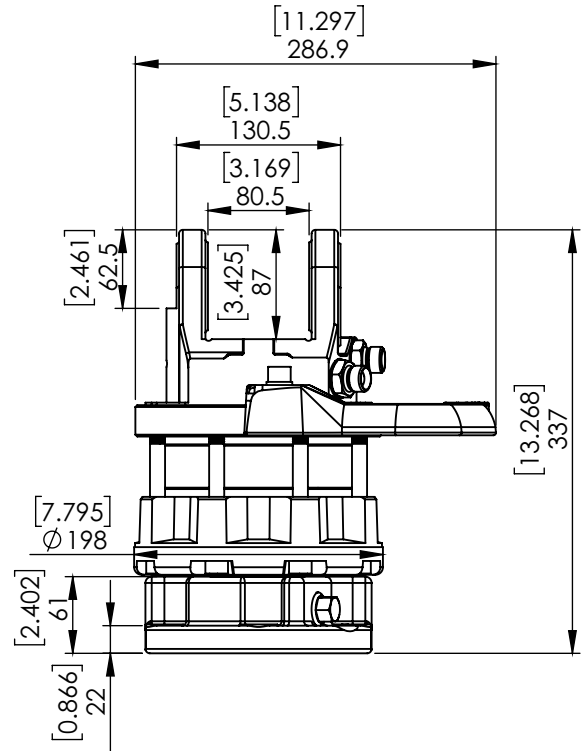
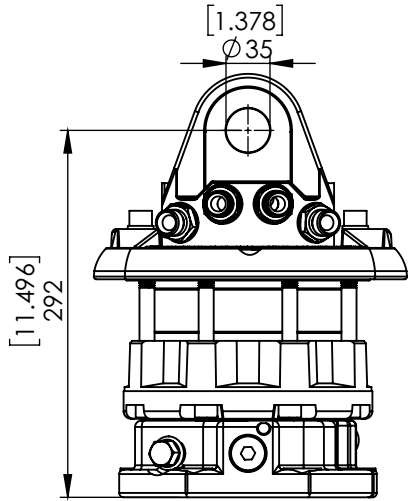


70601 CR 600-W35F173



ROTATION ANGLE	UNLIMITED	
MAX PRESSURE (R) [BAR/PSI]	250	3625
MAX PRESSURE (GO) [BAR/PSI]	200	2901
MAX PRESSURE (GC) [BAR/PSI]	300	4351
DISPLACEMENT [cm ³ /Inch ³]	670	41
TORQUE [Nm/lbf-ft]	1800	1328
MAX AXIAL LOAD STATIC [KN/lbf]	60	13489
MAX AXIAL LOAD DYNAMIC [KN/lbf]	30	6744
WEIGHT [kg/lb]	48	106
CONNECTIONS	G1/2"	G1/2"
REQ. OIL FLOW FOR ROTATION [LPM/GPM]	20	5.3