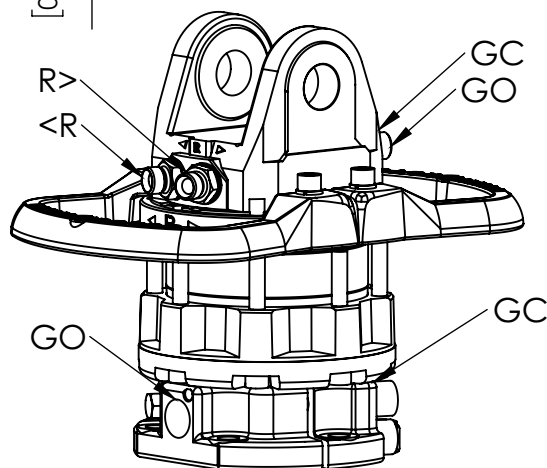
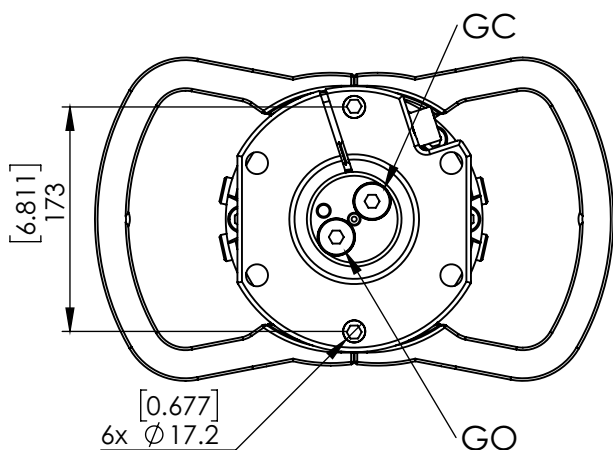
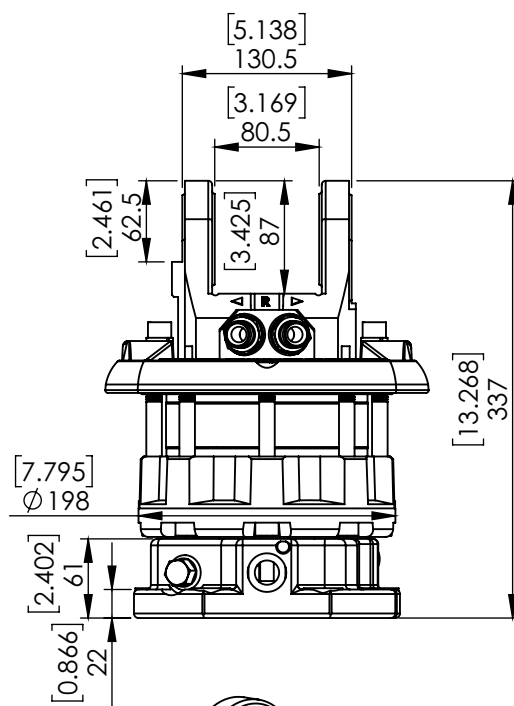
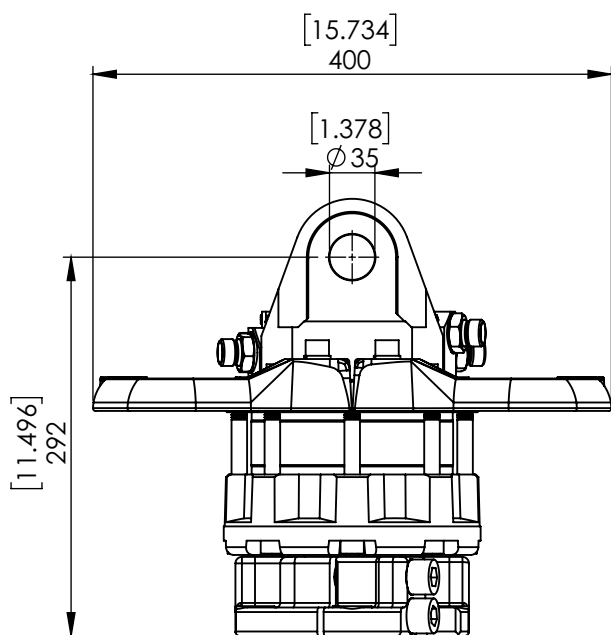


# 70600 CR 600-X35F173



ROTATION ANGLE	UNLIMITED	
MAX PRESSURE (R) [BAR/PSI]	250	3626
MAX PRESSURE (GO) [BAR/PSI]	200	2901
MAX PRESSURE (GC) [BAR/PSI]	300	4351
DISPLACEMENT [cm <sup>3</sup> /Inch <sup>3</sup> ]	670	41
TORQUE [Nm/lbf-ft]	1800	1328
MAX AXIAL LOAD STATIC [KN/lbf]	60	13489
MAX AXIAL LOAD DYNAMIC [KN/lbf]	30	6744
WEIGHT [kg/lb]	50	110
CONNECTIONS	G1/2"	G1/2"
MAXIMUM OIL FLOW [LPM/GPM]	20	5.3