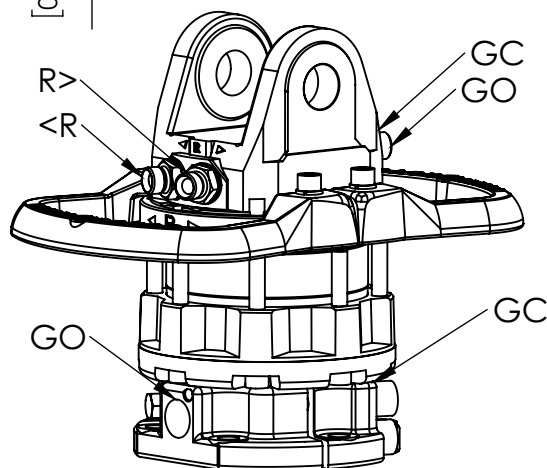
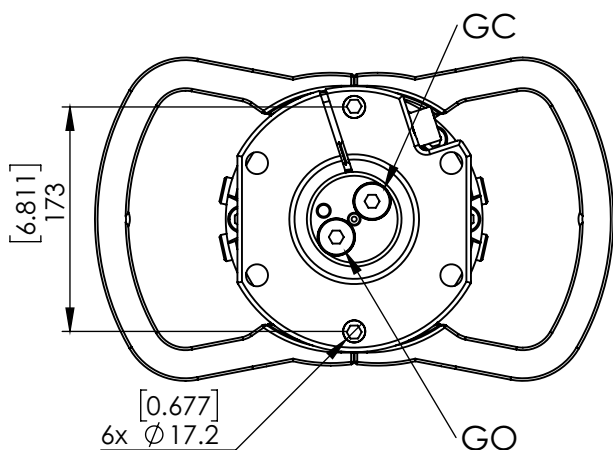
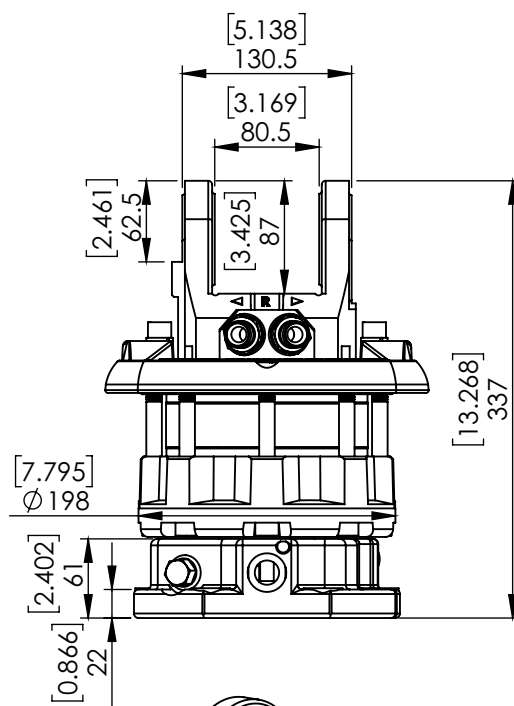
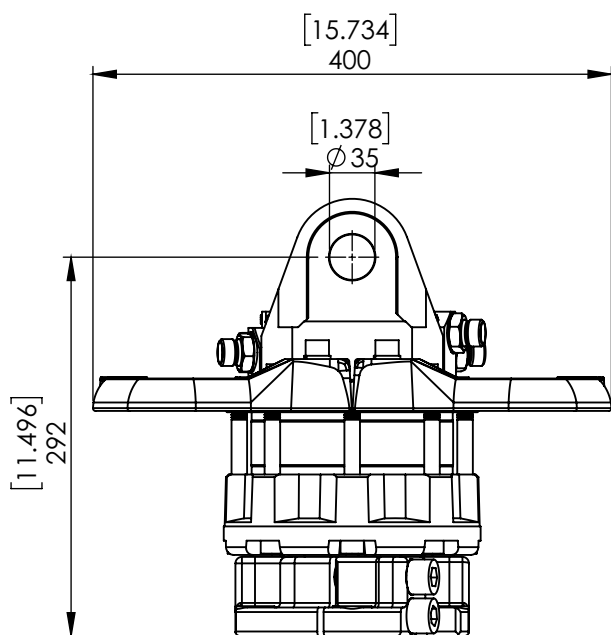


# 70600 CR 600-X35F173



|  |           |       |
|--|-----------|-------|
| ROTATION ANGLE                                     | UNLIMITED |       |
| MAX PRESSURE (R) [BAR/PSI]                         | 250       | 3626  |
| MAX PRESSURE (GO) [BAR/PSI]                        | 200       | 2901  |
| MAX PRESSURE (GC) [BAR/PSI]                        | 300       | 4351  |
| DISPLACEMENT [cm <sup>3</sup> /Inch <sup>3</sup> ] | 670       | 41    |
| TORQUE [Nm/lbf-ft]                                 | 1800      | 1328  |
| MAX AXIAL LOAD STATIC [KN/lbf]                     | 60        | 13489 |
| MAX AXIAL LOAD DYNAMIC [KN/lbf]                    | 30        | 6744  |
| WEIGHT [kg/lb]                                     | 50        | 110   |
| CONNECTIONS  | G1/2"     | G1/2" |
| REQ. OIL FLOW FOR ROTATION [LPM/GPM]               | 20        | 5.3   |