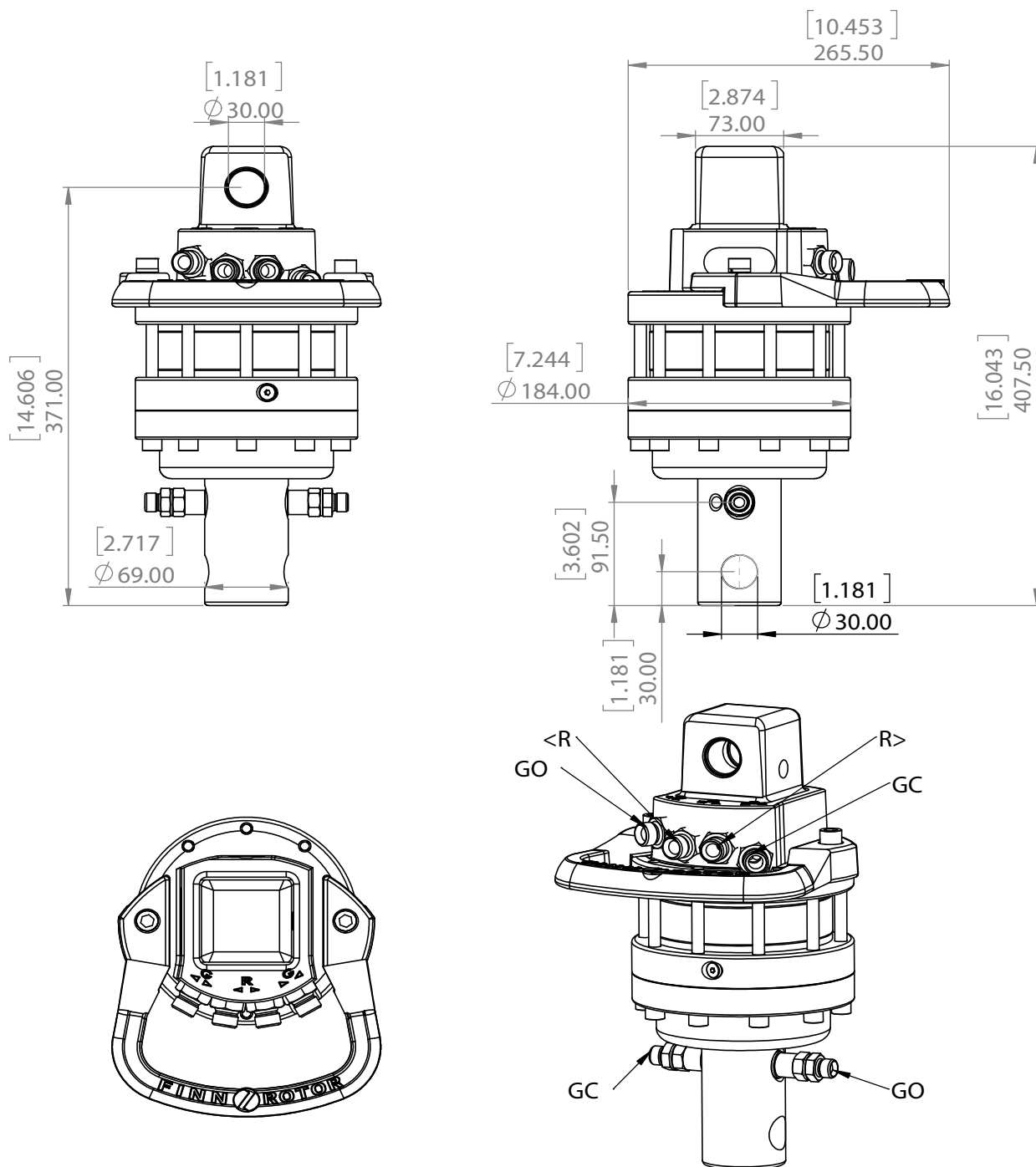


## 70560-222 CR 550BR-W30A30-222



Rotation angle	Unlimited
Max pressure (R)	250 bar
Max pressure grapple open (GO)	200 bar
Max pressure grapple close (GC)	300 bar
Capacity	465 cm <sup>3</sup>
Torque (250 bar)	1400 Nm
Max axial load static	55 kN
Max axial load dynamic	25 kN
Weight	35 kg
Connections	G3/8
Max oil flow	20 LPM
Connectors	PSB G3/8"
Holding brake	400 Nm
Brake opening pressure	100 bar



[www.finn-rotor.com](http://www.finn-rotor.com)