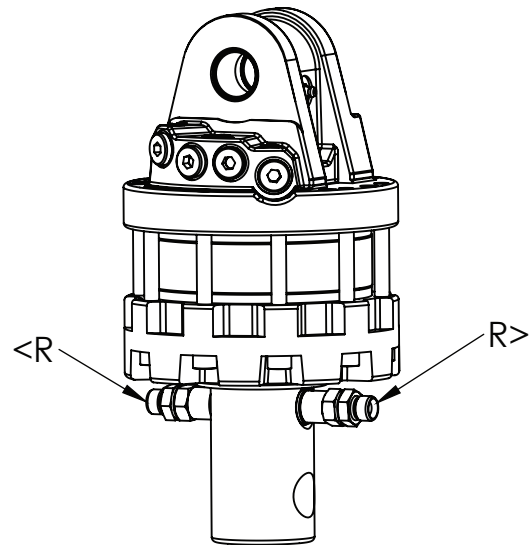
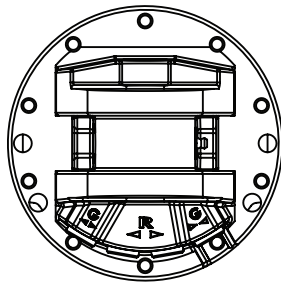
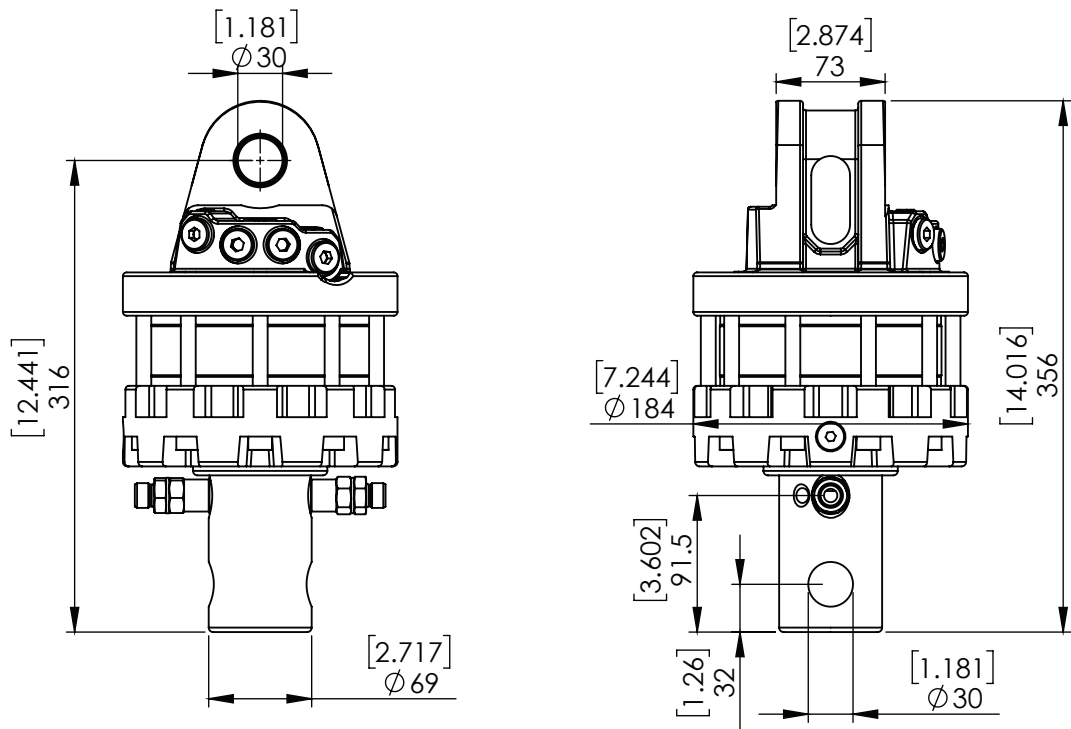


## 70500M-SS2 CRM 500-W30A30-SS2



Rotation angle	Unlimited
Max pressure (R)	250 bar
Max pressure grapple open (GO)	200 bar
Max pressure grapple close (GC)	300 bar
Capacity	465 cm <sup>3</sup>
Torque (250 bar)	1400 Nm
Max axial load static	55 kN
Max axial load dynamic	25 kN
Weight	28 kg
Connections	G3/8
Max oil flow	20 LPM
Connectors	PSB G3/8"

