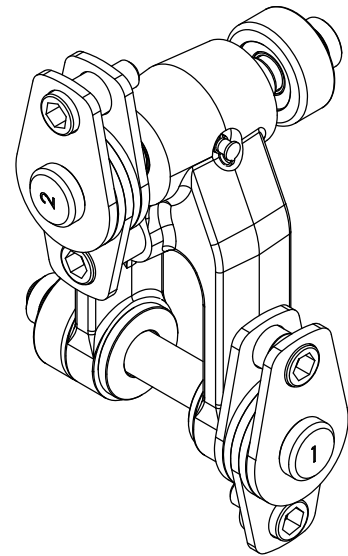
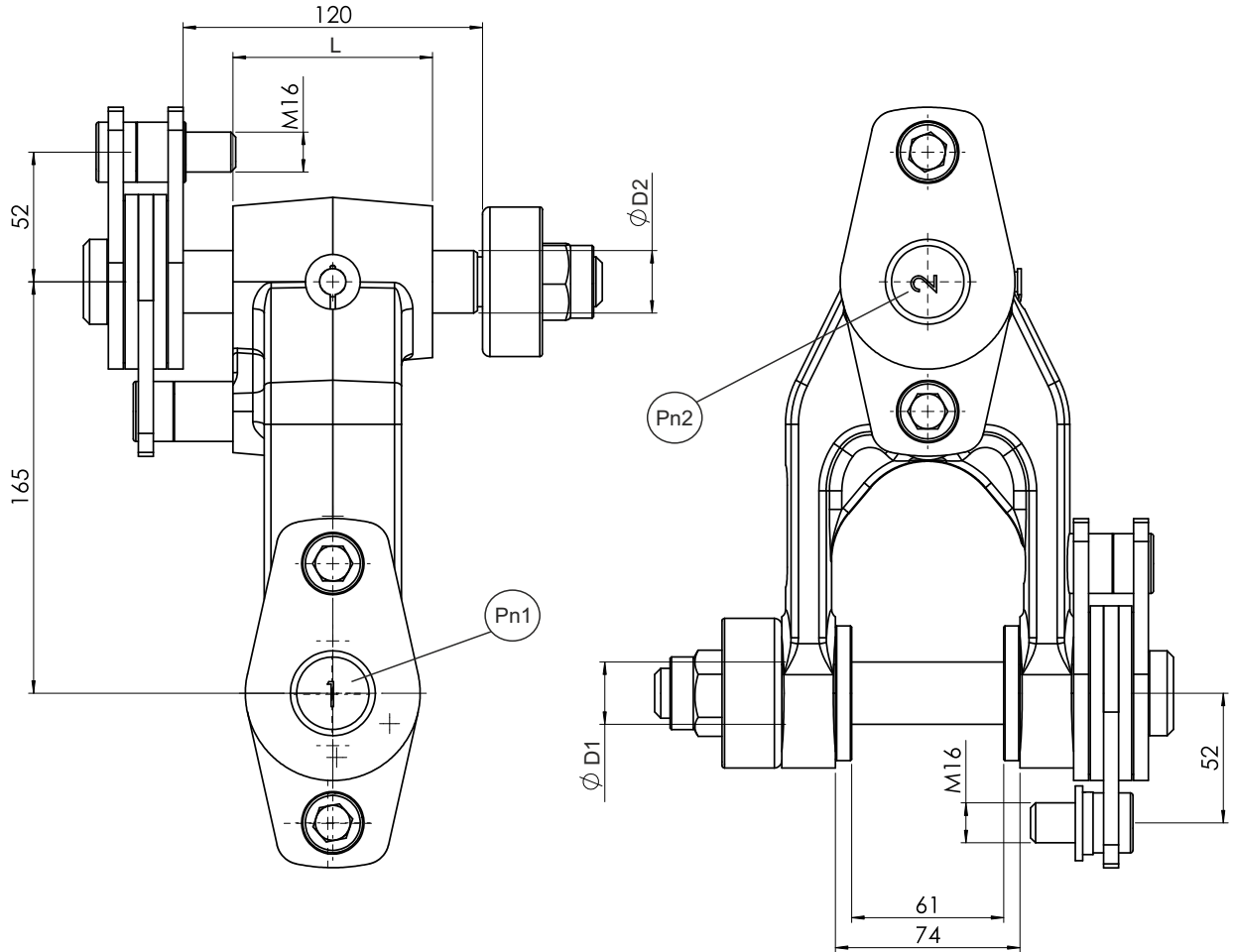


7044x-2B CBL 73 BRAKELINK



MAX AXIAL LOAD STATIC [KN/lbf]	55	12364
MAX AXIAL LOAD DYNAMIC [KN/lbf]	25	5620
WEIGHT [kg/lb]	10	22
BRAKING FORCE [Nm/lpf.ft]	120	89

Order no	Item name	L	D1	Pn1*	D2	Pn2*
70448-2B	CBDL 7325-8025 DUAL BRAKELINK	80	25	1	25	2
70443-2B	CBDL 7325-9025 DUAL BRAKELINK	90	25	1	25	2
70444-2B	CBDL 7325-8030 DUAL BRAKELINK	80	25	1	30	12
70445-2B	CBDL 7325-9030 DUAL BRAKELINK	90	25	1	30	12
70449-2B	CBDL 7330-8030 DUAL BRAKELINK	80	30	11	30	12
770443-2B	CBDL 7330-9030 DUAL BRAKELINK	90	30	11	30	12
704432-2B	CBDL 7330-9025 DUAL BRAKELINK	90	30	11	25	2

*)marked on the end of the pin