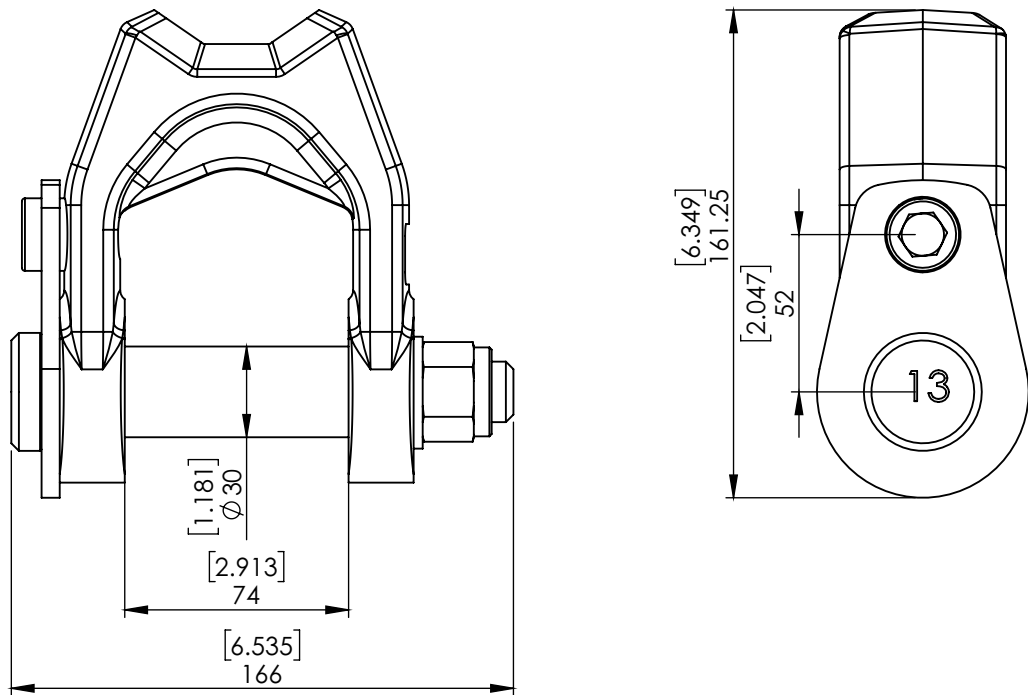
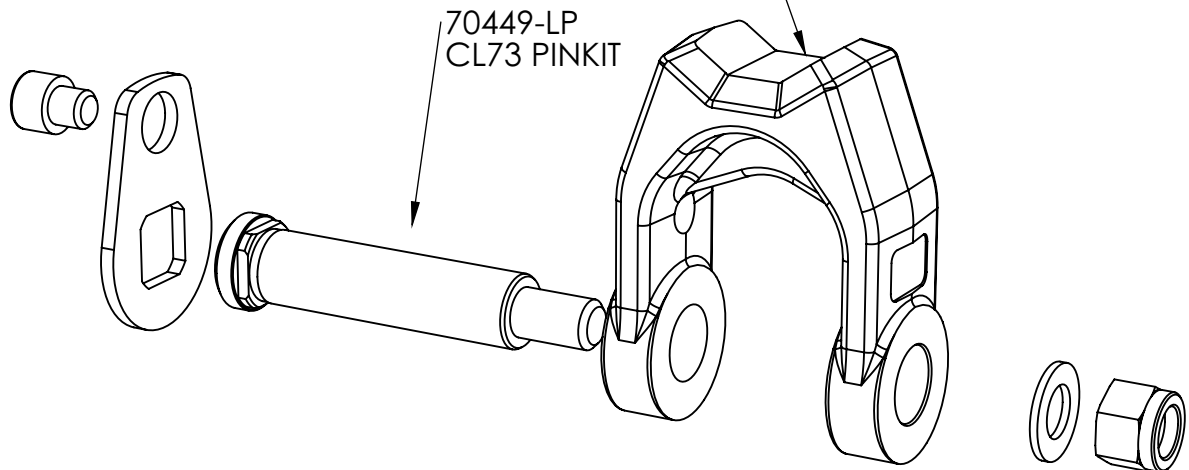


7044P3-0B - CLH 7330 HALF LINK



7044P3-B
CL73 BODY 7330-0 HALF LINK



| | | |
|---------------------------------|----|-------|
| MAX AXIAL LOAD STATIC [KN/lbf] | 55 | 12364 |
| MAX AXIAL LOAD DYNAMIC [KN/lbf] | 25 | 5620 |
| WEIGH[kg/lb] | 4 | 9 |