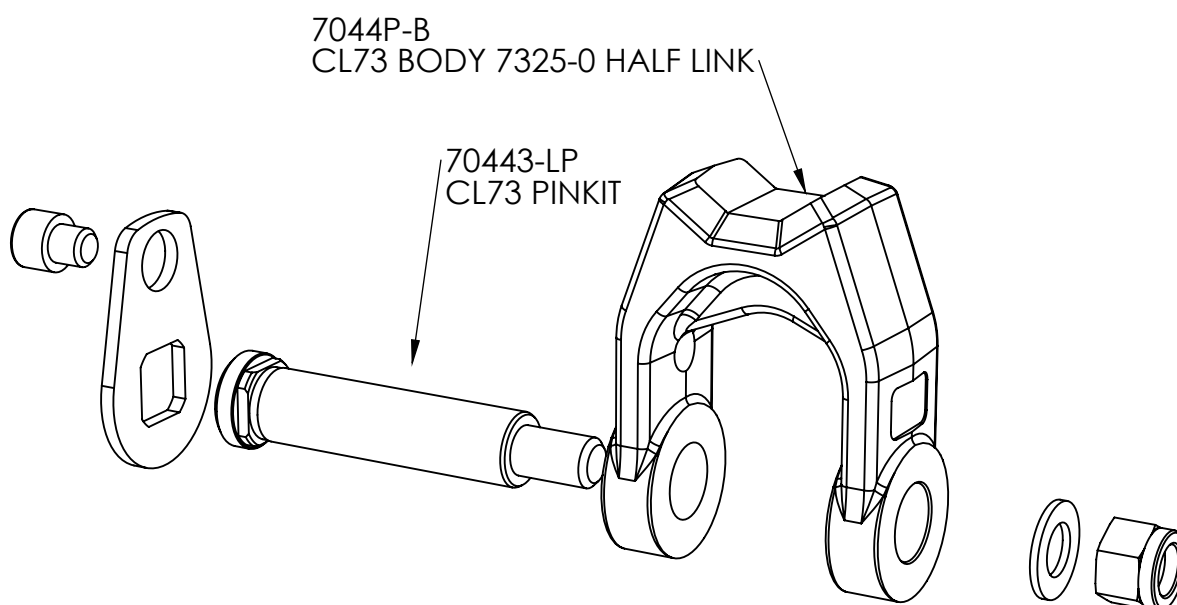
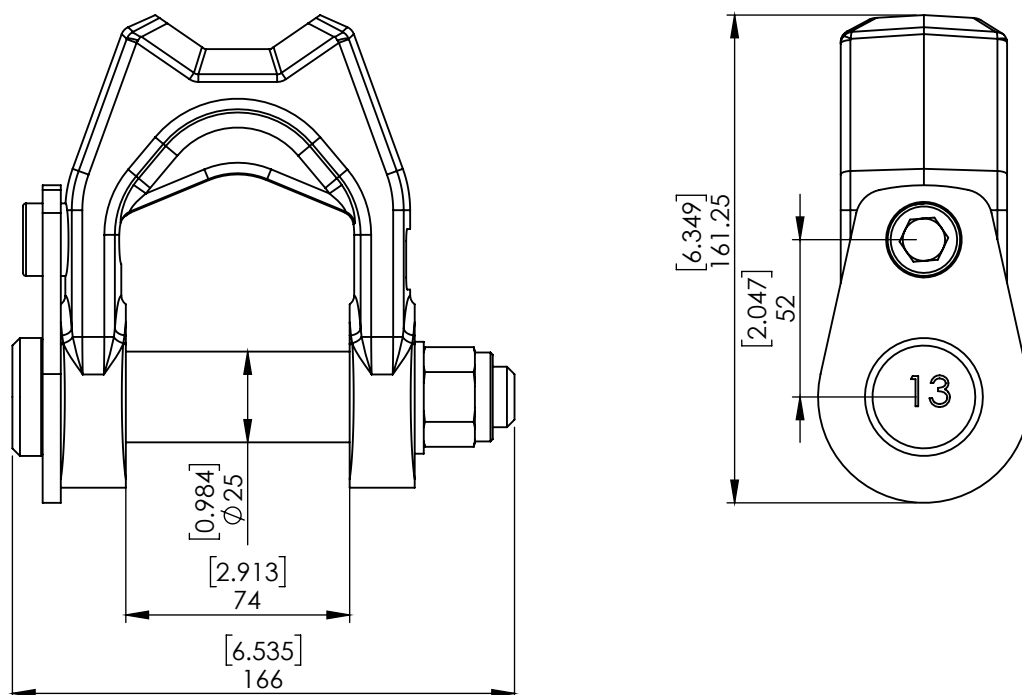


7044P-0B : CLH 7325 HALF LINK



Max axial load static	55 kN
Max axial load dynamic	25 kN
Weight	4 kg