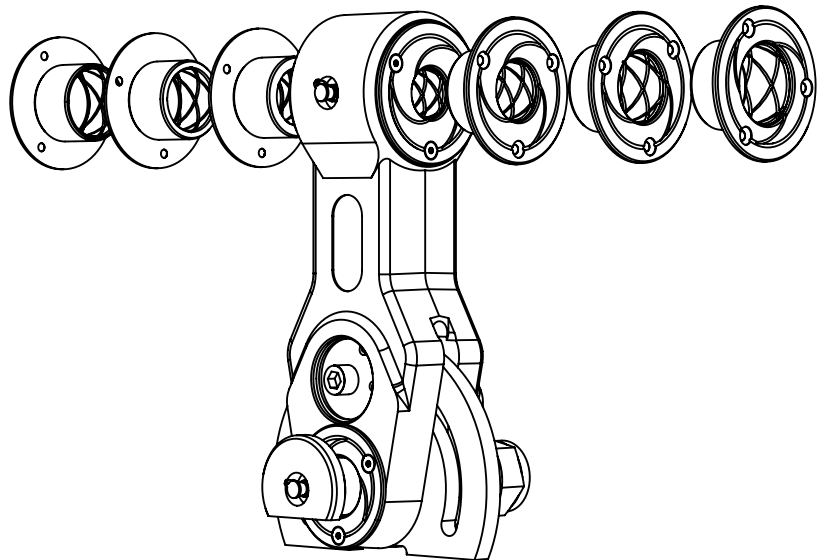
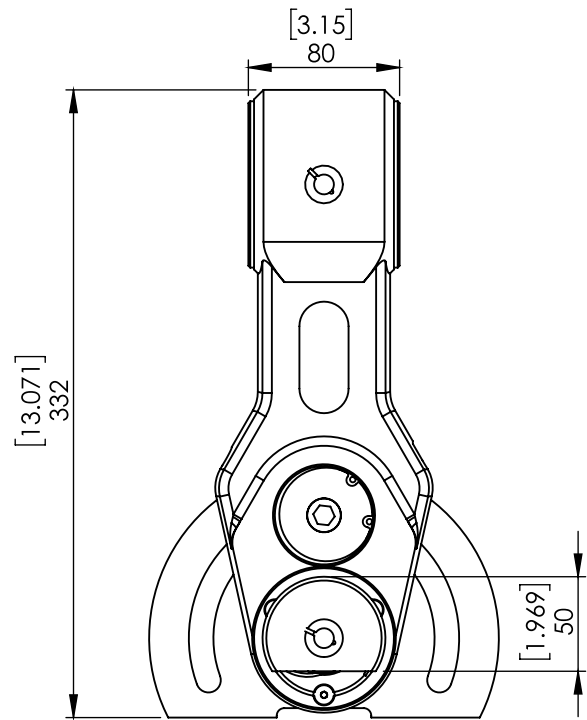
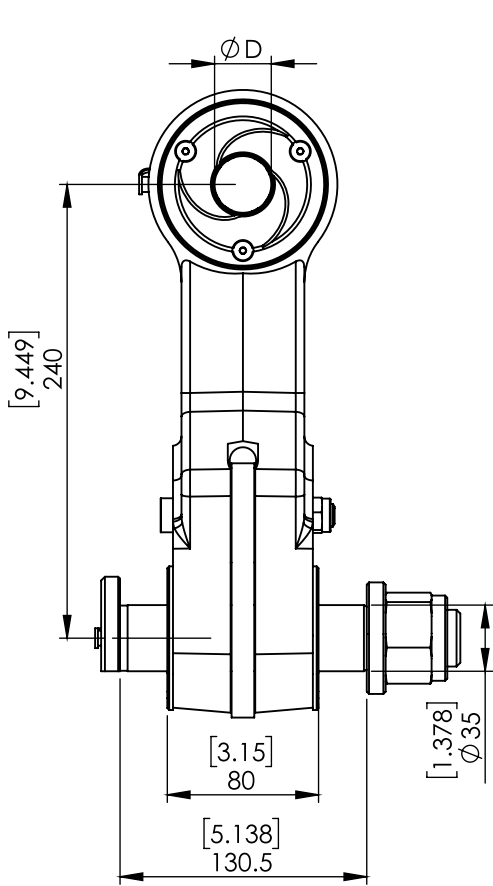


# 704462-1B CBL 8035 BRAKELINK



Max axial load static            100 kN / 22481 lbf  
 Max axial load dynamic        50 kN / 11240 lbf  
 Weight                                22 kg / 48 lb

Order no	Item name	Upper connection
704462-1B	LINK CBL 8035	All kit
704462-1B35	LINK CBL 8035-8035	L 80 D 35
704462-1B40	LINK CBL 8035-8040	L 80 D 40
704462-1B45	LINK CBL 8035-8045	L 80 D 45