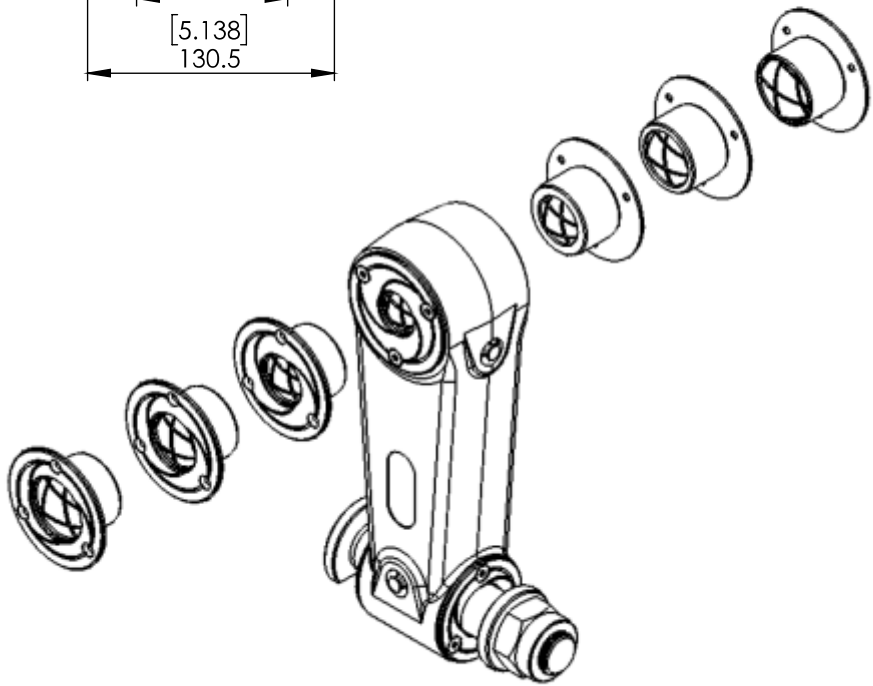
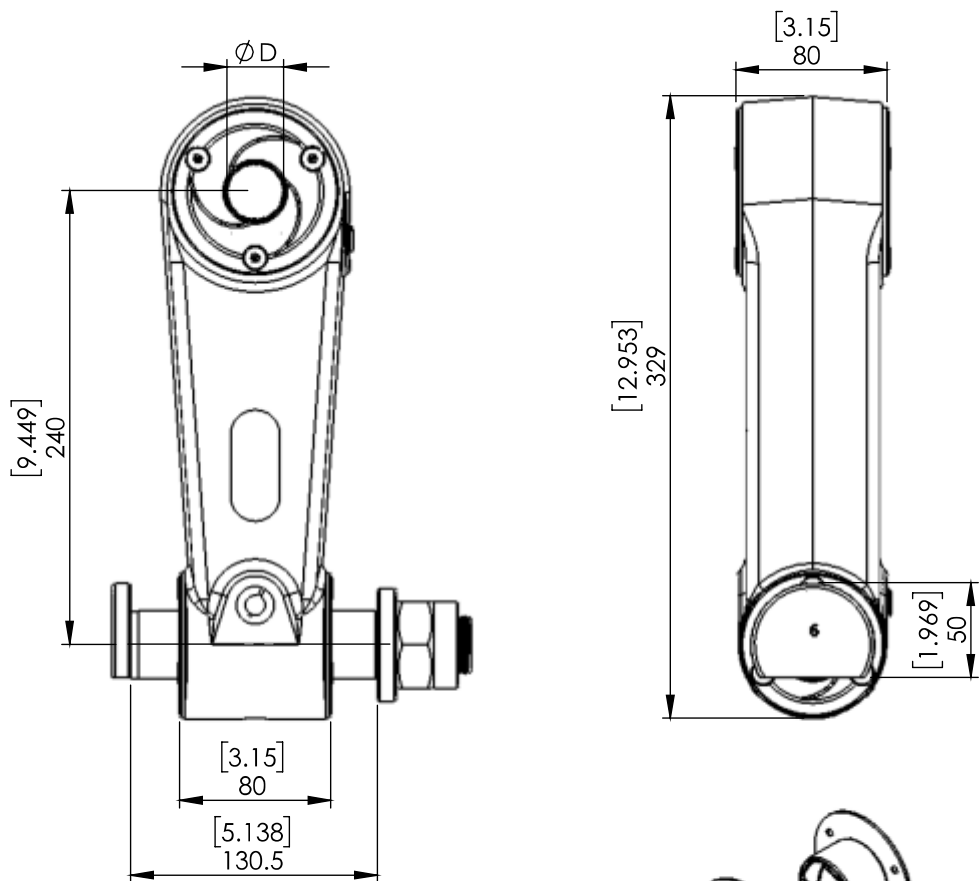


70446-0B CL 8035 LINK



Max axial load static 100 kN / 22481 lbf
 Max axial load dynamic 50 kN / 11240 lbf
 Weight 20 kg / 44 lb

Order no	Item name	Upper connection
70446-0B	LINK CL 8035	All kit
70446-0B35	LINK CL 8035-8035	L 80 D 35
70446-0B40	LINK CL 8035-8040	L 80 D 40
70446-0B45	LINK CL 8035-8045	L 80 D 45