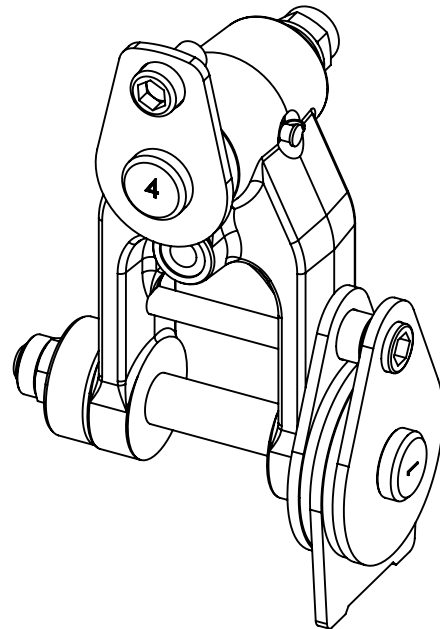
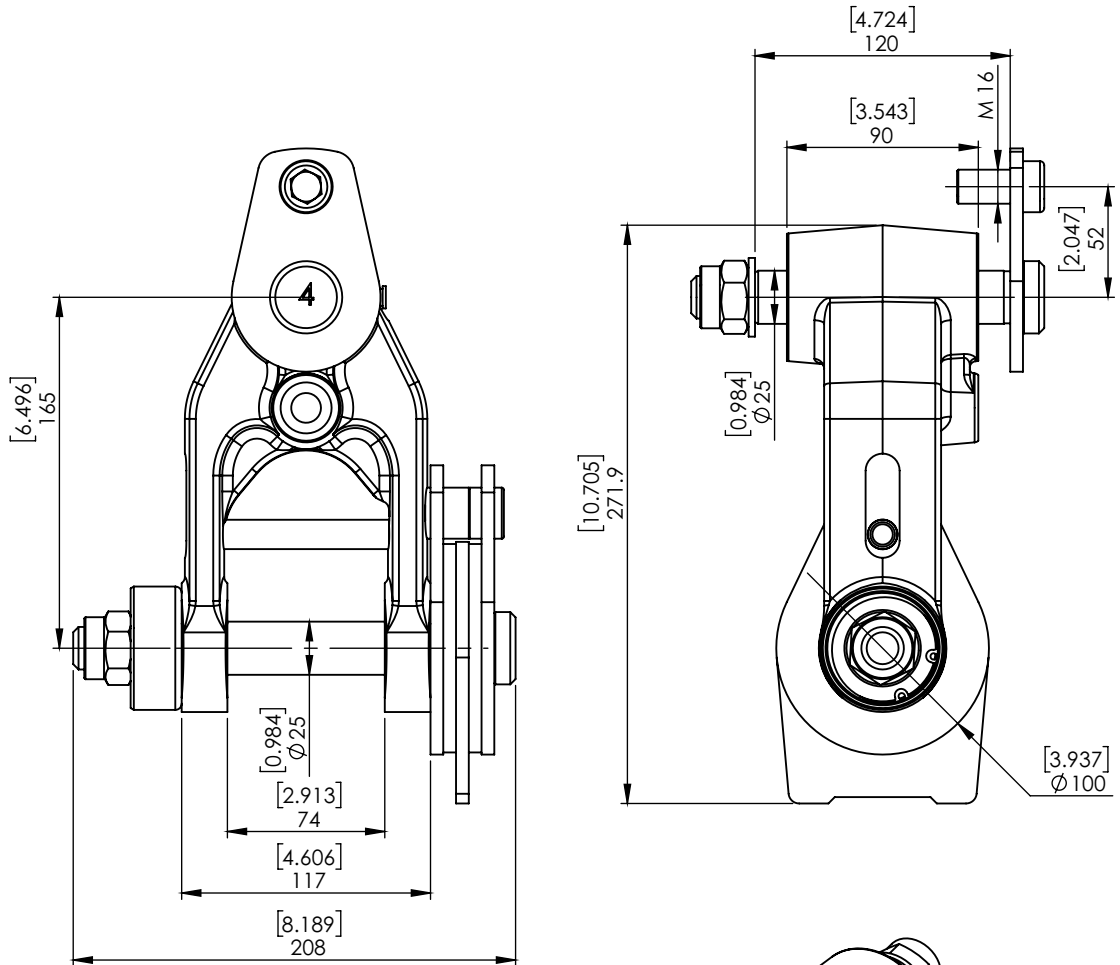


# 704431-1B - CBL 7325-9025(D100)



MAX AXIAL LOAD STATIC [KN/lbf]  
 MAX AXIAL LOAD DYNAMIC [KN/lbf]  
 WEIGHT [kg/lb]

55	12364
25	5620
9	20