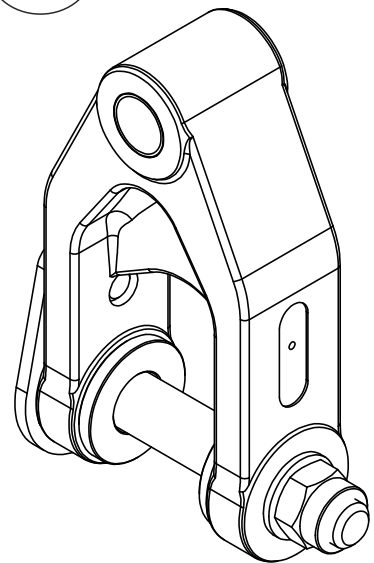
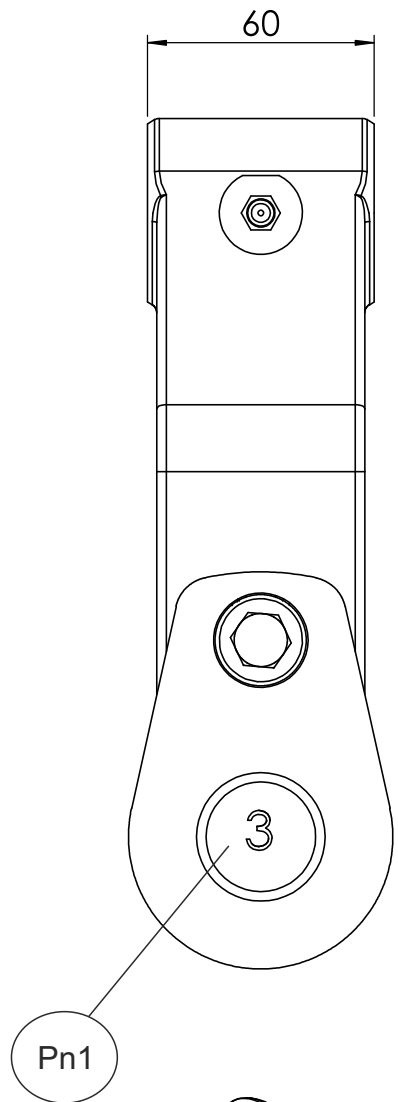
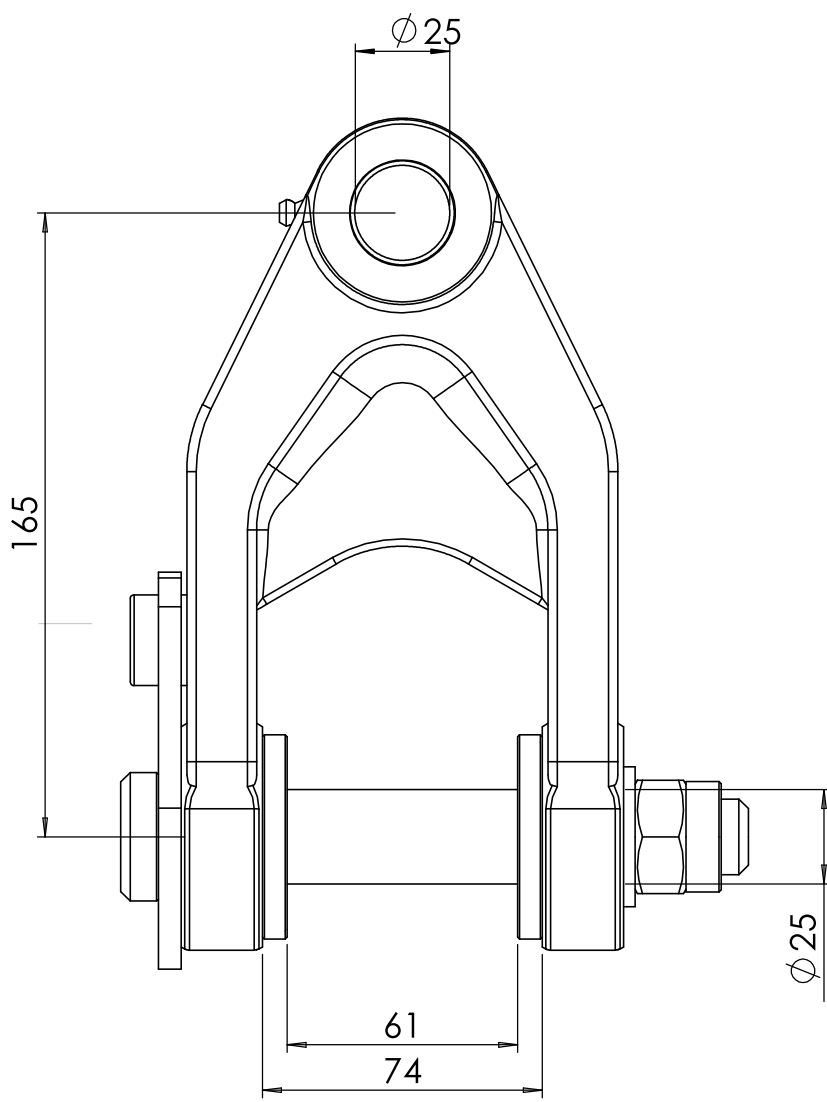


70441-400 CL 60 LINK



MAX AXIAL LOAD STATIC [KN/lbf]	45	10116
MAX AXIAL LOAD DYNAMIC [KN/lbf]	25	5620
WEIGHT [kg/lb]	6	13

Order no	Item name	Pn1*
70441-400	LINK CL 7325-6025	3

*)marked on the end of the pin