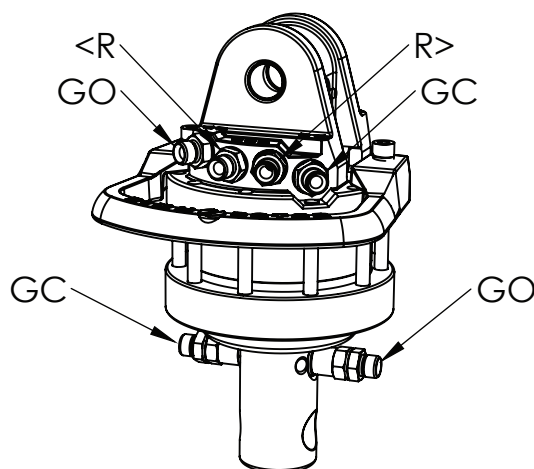
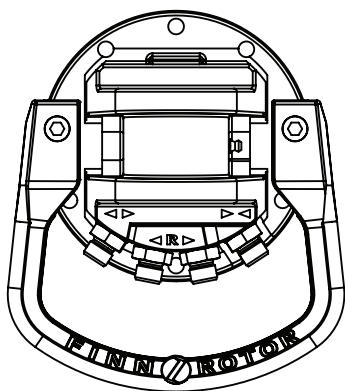
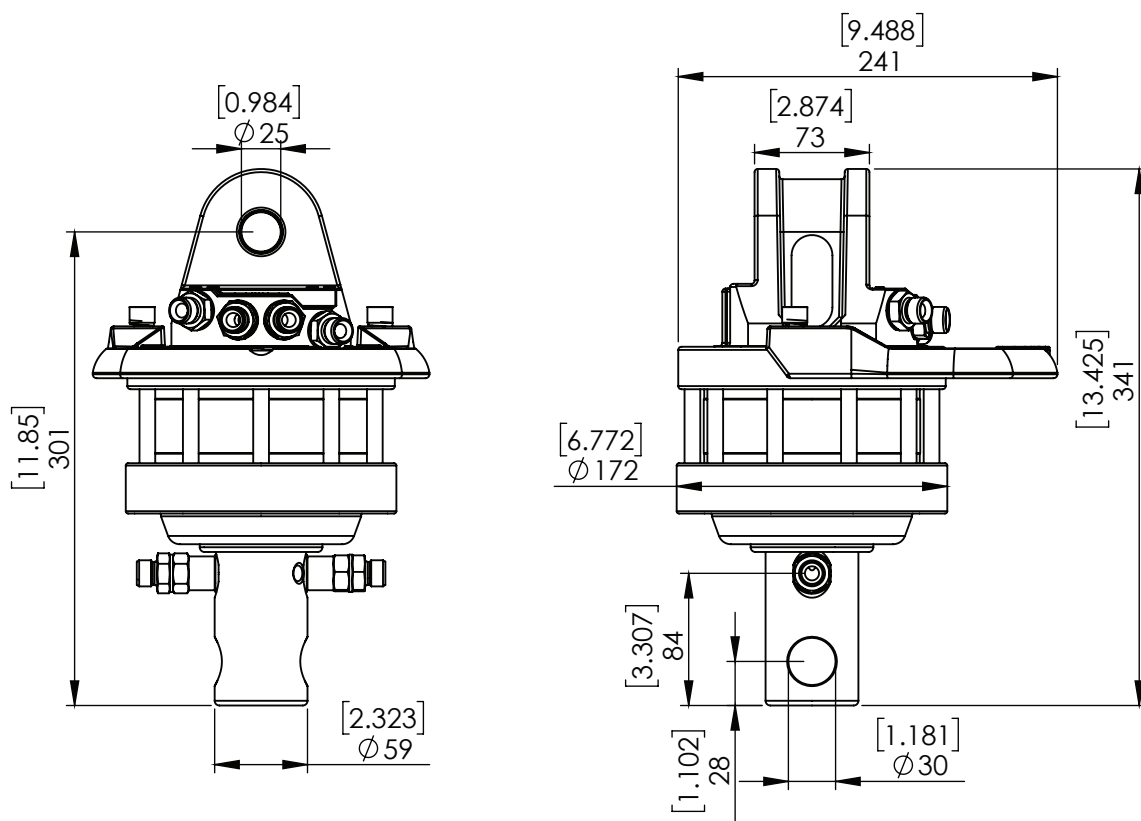


70400-555 CR 400-W25A30-555



Rotation angle	Unlimited
Max pressure (R)	250 bar
Max pressure grapple open (GO)	200 bar
Max pressure grapple close (GC)	300 bar
Capacity	420 cm ³
Torque (250 bar)	1100 Nm
Max axial load static	45 kN
Max axial load dynamic	25 kN
Weight	24 kg
Connections	G3/8
Max oil flow	20 LPM
Connectors	JIC3/4-16

