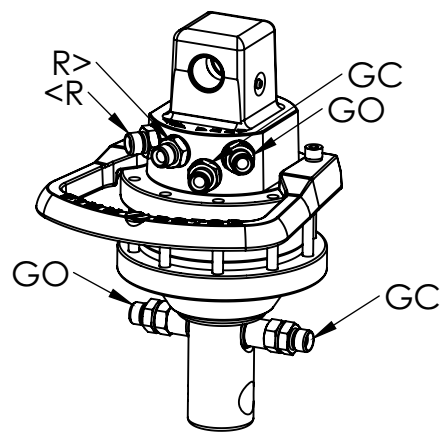
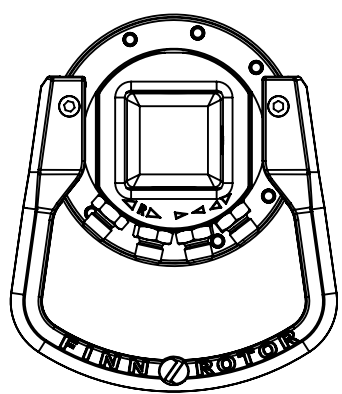
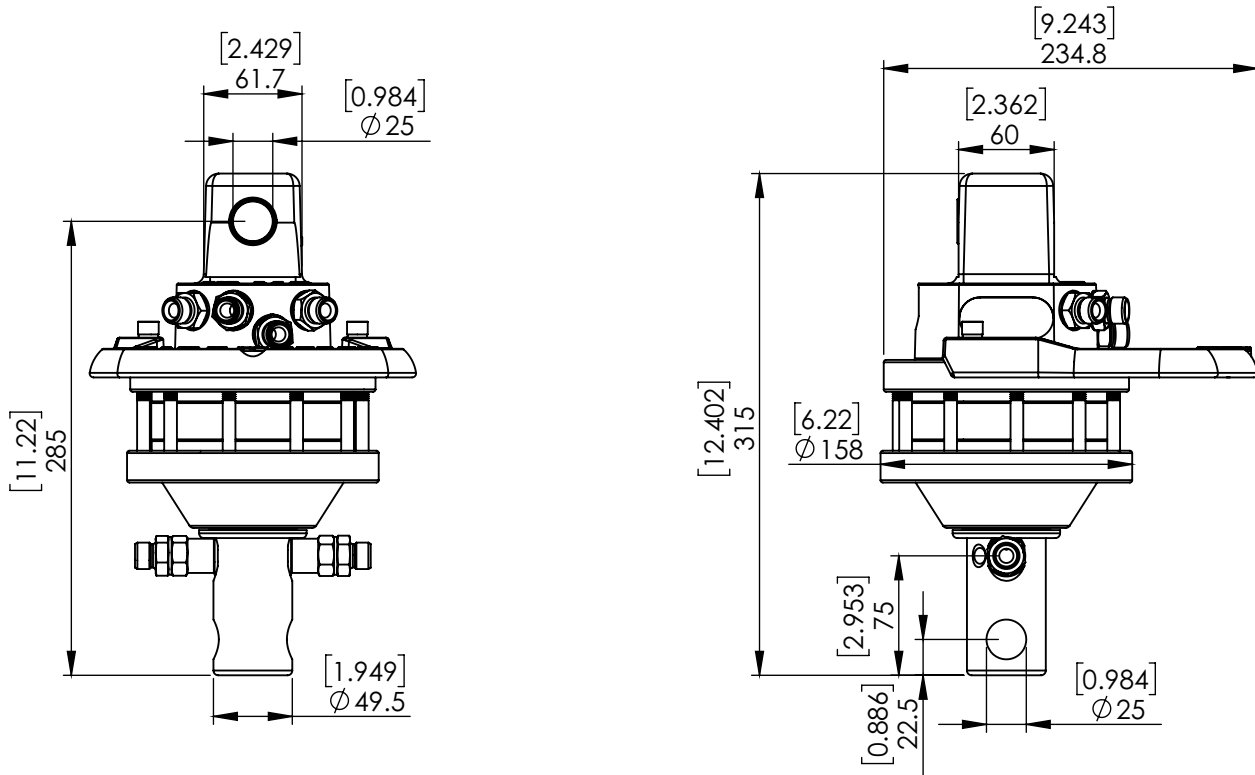


70320 CR 320-W25A25



| | | |
|--------------------------------------|-----------|-------|
| ROTATION ANGLE | UNLIMITED | |
| MAX PRESSURE (R) [BAR/PSI] | 250 | 3626 |
| MAX PRESSURE (GO) [BAR/PSI] | 200 | 2901 |
| MAX PRESSURE (GC) [BAR/PSI] | 300 | 4351 |
| DISPLACEMENT [cm3/Inch3] | 330 | 20 |
| TORQUE [Nm/lbf-ft] | 900 | 664 |
| MAX AXIAL LOAD STATIC [KN/lbf] | 30 | 6744 |
| MAX AXIAL LOAD DYNAMIC [KN/lbf] | 15 | 3372 |
| WEIGHT [kg/lb] | 16 | 35 |
| CONNECTIONS | G3/8" | G3/8" |
| REQ. OIL FLOW FOR ROTATION [LPM/GPM] | 20 | 5.3 |