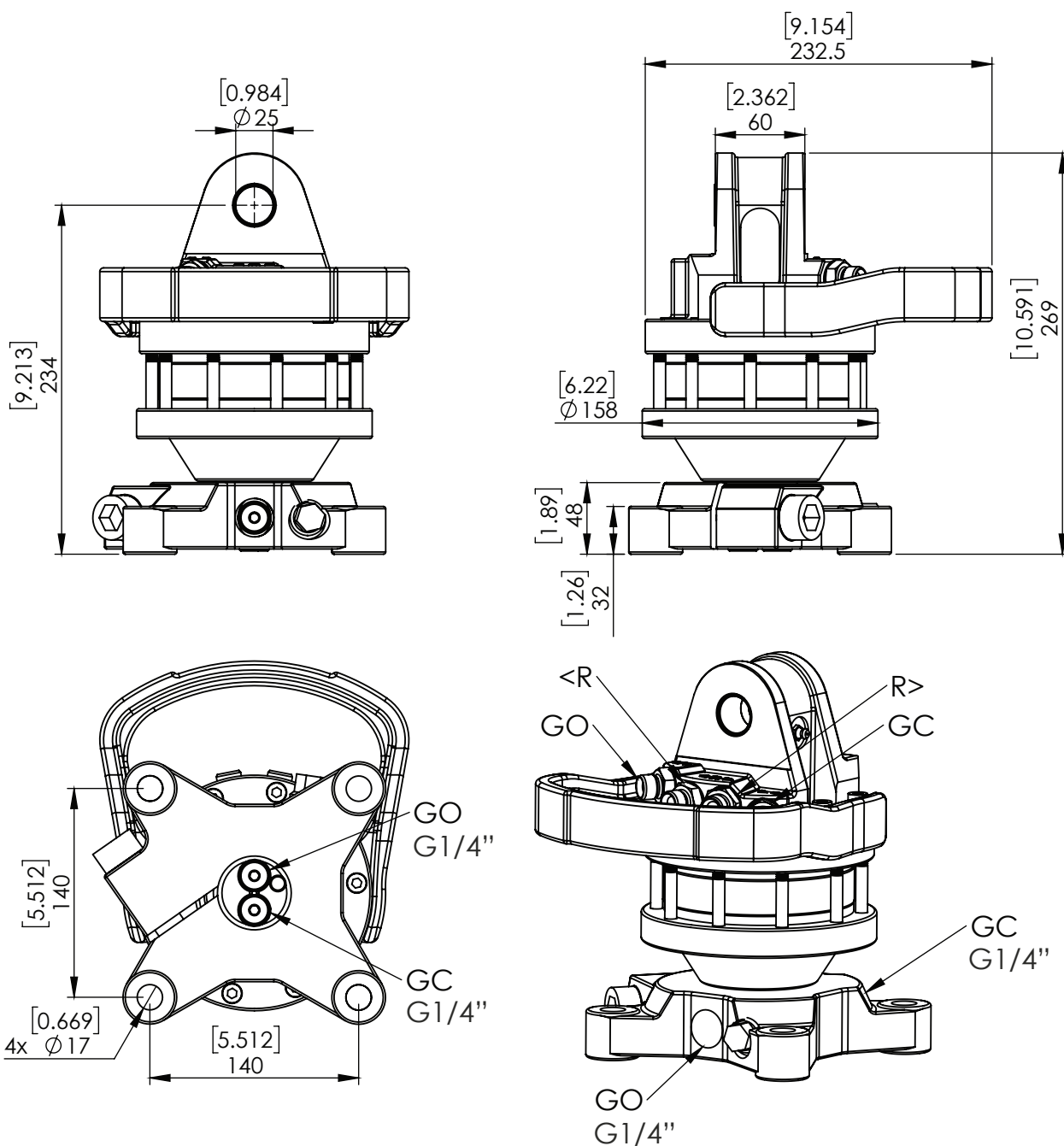


70305-888 CR 300-W25F140-888



| | |
|---------------------------------|---------------------|
| Rotation angle | Unlimited |
| Max pressure (R) | 250 bar |
| Max pressure grapple open (GO) | 200 bar |
| Max pressure grapple close (GC) | 300 bar |
| Capacity | 330 cm ³ |
| Torque (250 bar) | 900 Nm |
| Max axial load static | 30 kN |
| Max axial load dynamic | 15 kN |
| Weight | 22 kg |
| Connections | G3/8-G1/4 |
| Max oil flow | 20 LPM |
| Connectors | M18x1,5 |

