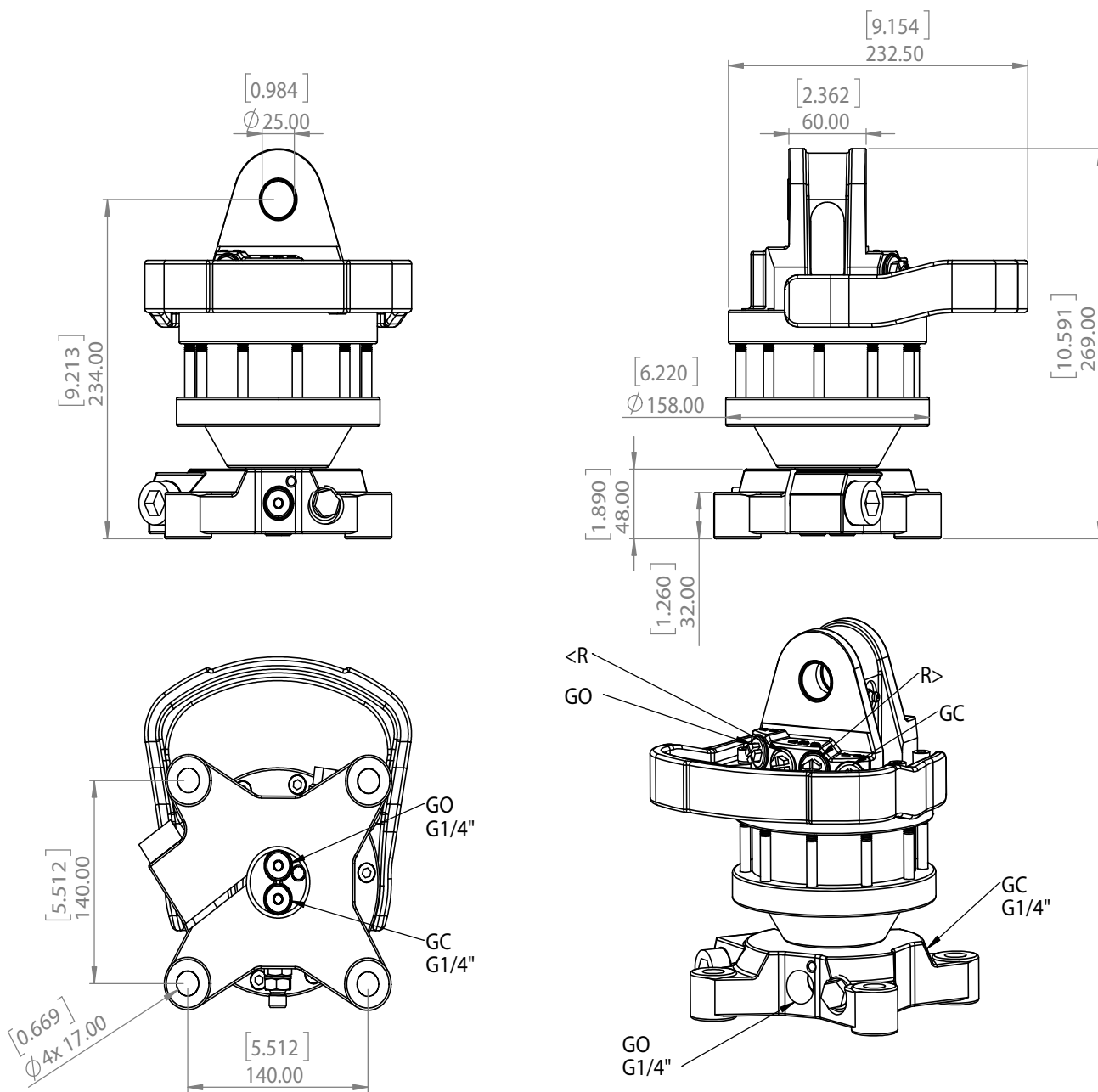


70305-00S CR 300-W25F140-00S



Rotation angle
 Max pressure (R)
 Max pressure grapple open (GO)
 Max pressure grapple close (GC)
 Capacity
 Torque (250 bar)
 Max axial load static
 Max axial load dynamic
 Weight
 Connections
 Max oil flow
 Connectors

Unlimited
 250 bar
 200 bar
 300 bar
 330 cm³
 900 Nm
 30 kN
 15 kN
 22 kg
 G3/8
 20 LPM
 -

