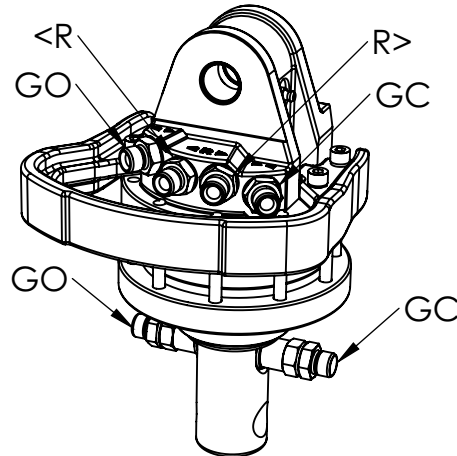
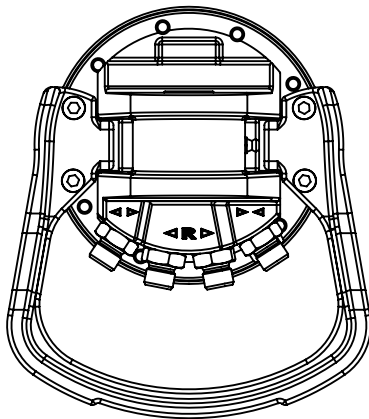
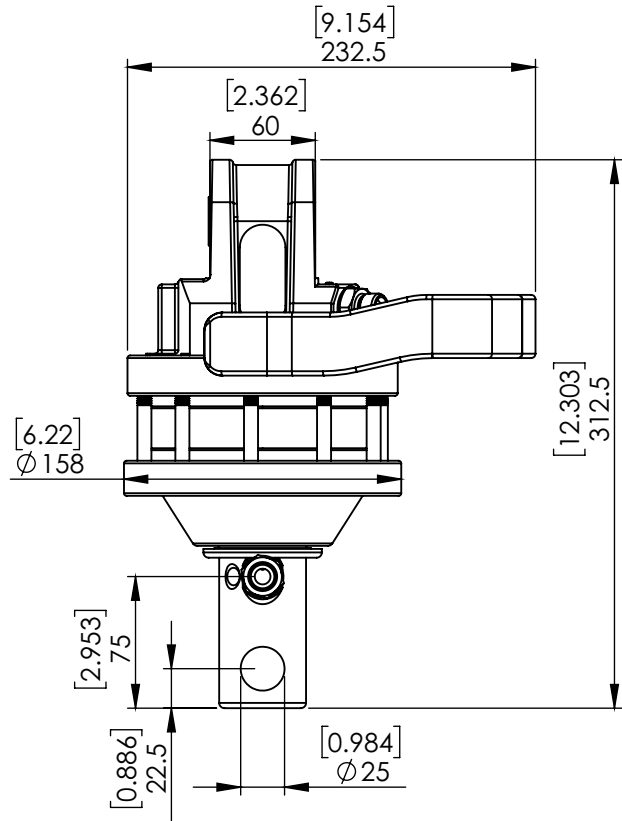
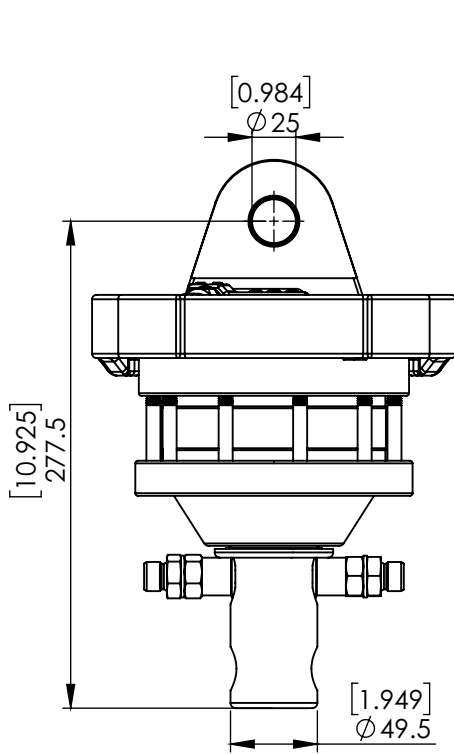


# 70304 CR 304S-W25A25



|  |           |       |
|--|-----------|-------|
| ROTATION ANGLE                                     | UNLIMITED |       |
| MAX PRESSURE (R) [BAR/PSI]                         | 250       | 3625  |
| MAX PRESSURE (GO) [BAR/PSI]                        | 300       | 4351  |
| MAX PRESSURE (GC) [BAR/PSI]                        | 300       | 4351  |
| DISPLACEMENT [cm <sup>3</sup> /Inch <sup>3</sup> ] | 330       | 20    |
| TORQUE [Nm/lbf-ft]                                 | 900       | 664   |
| MAX AXIAL LOAD STATIC [KN/lbf]                     | 30        | 6744  |
| MAX AXIAL LOAD DYNAMIC [KN/lbf]                    | 15        | 3372  |
| WEIGHT [kg/lb]                                     | 17        | 37    |
| CONNECTIONS  | G3/8"     | G3/8" |
| MAXIMUM OIL FLOW [LPM/GPM]                         | 20        | 5.3   |