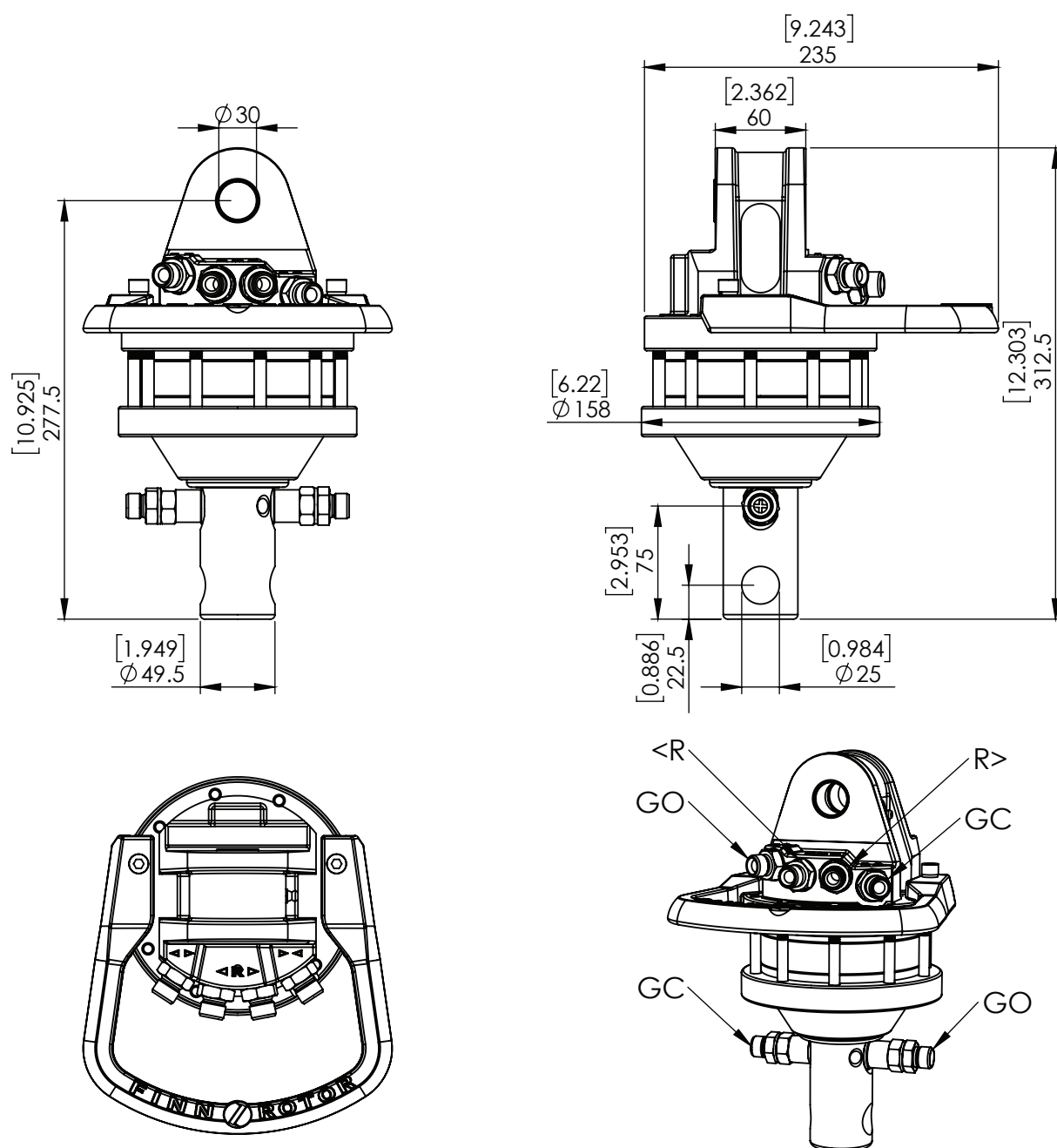


70302-222 CR 300-W30A25-222



| | |
|---------------------------------|---------------------|
| Rotation angle | Unlimited |
| Max pressure (R) | 250 bar |
| Max pressure grapple open (GO) | 200 bar |
| Max pressure grapple close (GC) | 300 bar |
| Capacity | 330 cm ³ |
| Torque (250 bar) | 900 Nm |
| Max axial load static | 30 kN |
| Max axial load dynamic | 15 kN |
| Weight | 16 kg |
| Connections | G3/8 |
| Max oil flow | 20 LPM |
| Connectors | PSB G3/8" |

