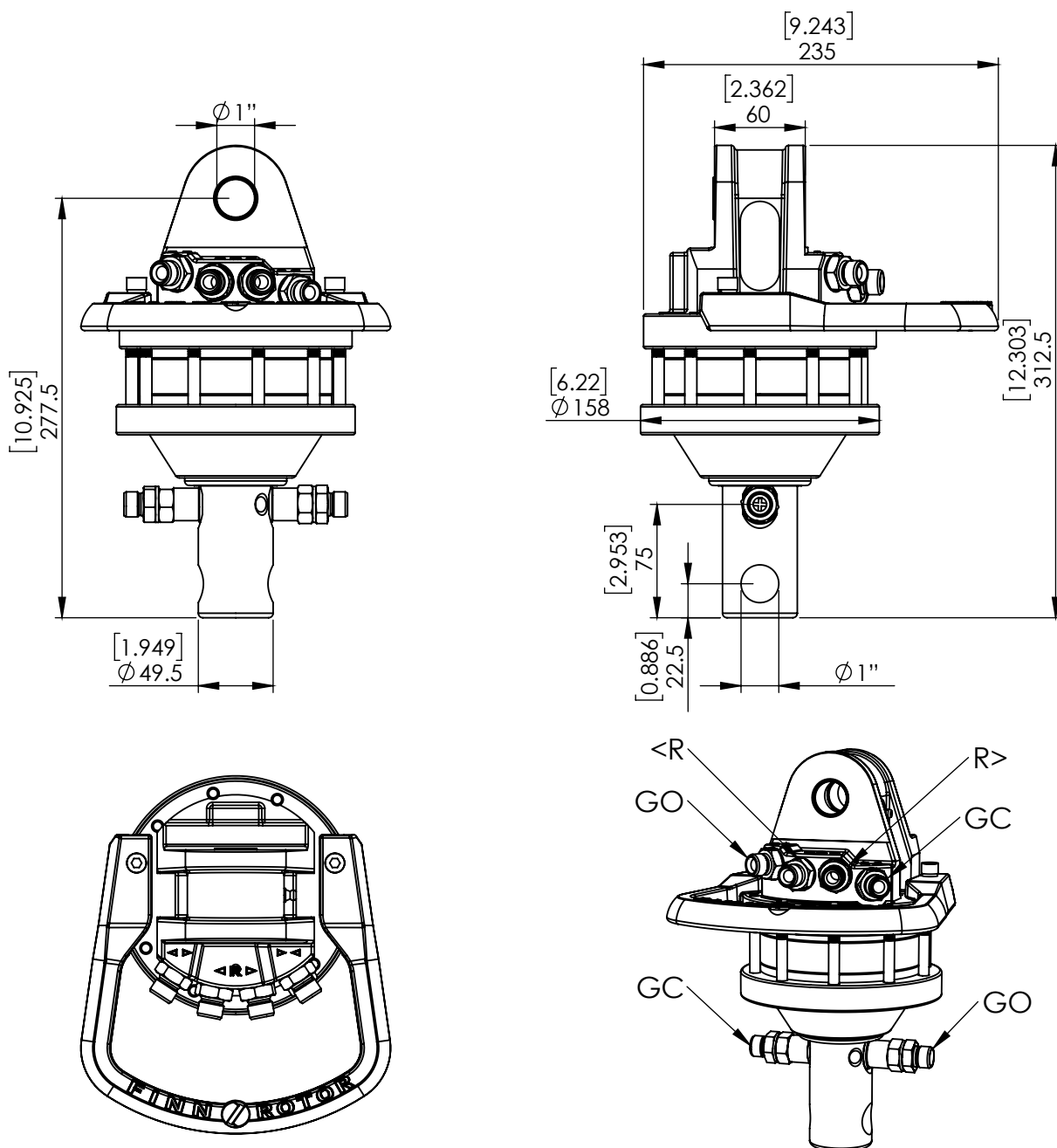


## 70301-555 CR 300-W1"A1"-555



|                                 |                     |
|---------------------------------|---------------------|
| Rotation angle                  | Unlimited           |
| Max pressure (R)                | 250 bar             |
| Max pressure grapple open (GO)  | 200 bar             |
| Max pressure grapple close (GC) | 300 bar             |
| Capacity                        | 330 cm <sup>3</sup> |
| Torque (250 bar)                | 900 Nm              |
| Max axial load static           | 30 kN               |
| Max axial load dynamic          | 15 kN               |
| Weight                          | 16 kg               |
| Connections                     | G3/8                |
| Max oil flow                    | 20 LPM              |
| Connectors                      | JIC3/4-16           |

