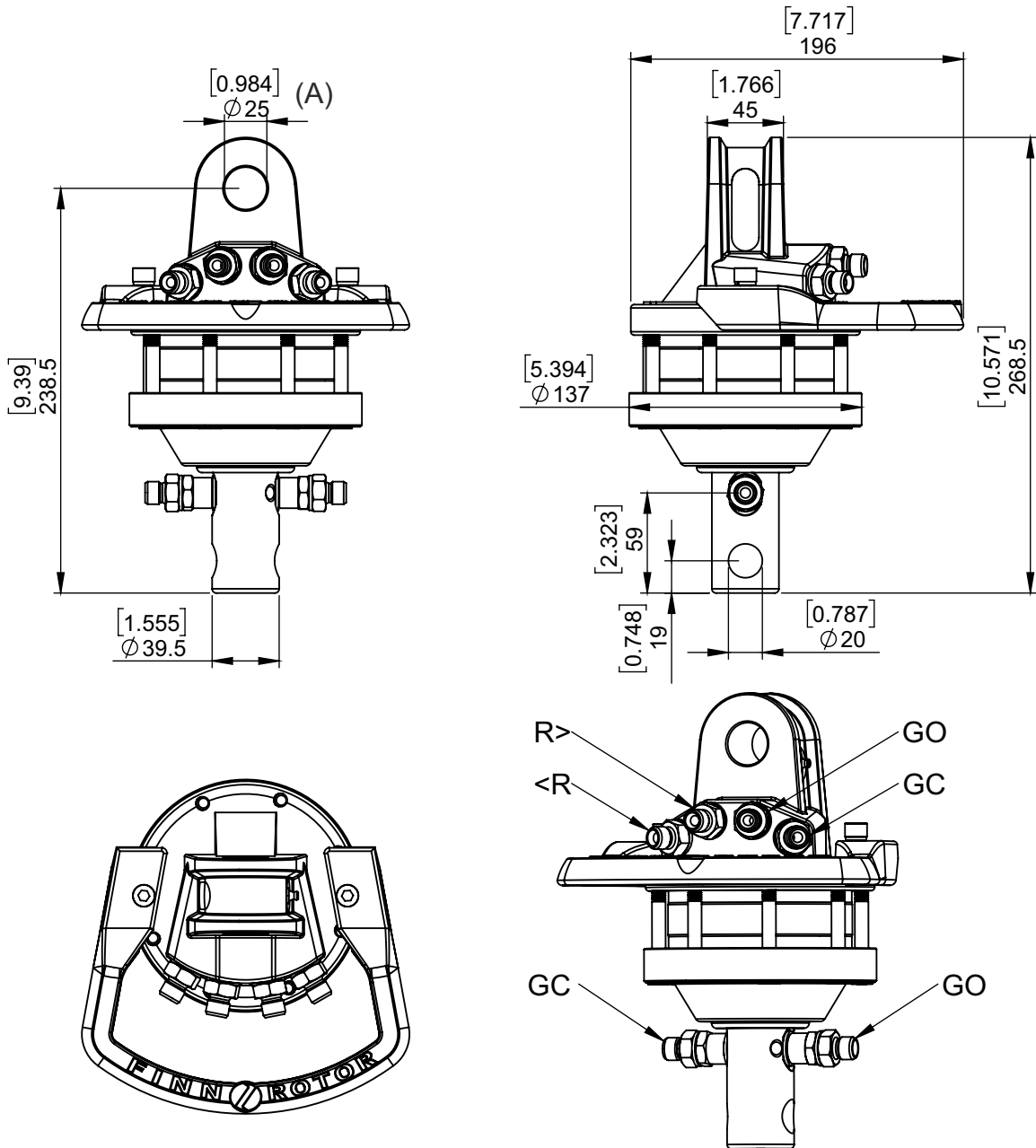


# 70100 CR 100-W25A20



70101 CR 100-W1"A20 dim (A) = 1 inch

ROTATION ANGLE	UNLIMITED	
MAX PRESSURE (R) [BAR/PSI]	250	3625
MAX PRESSURE (GO) [BAR/PSI]	200	2901
MAX PRESSURE (GC) [BAR/PSI]	300	4351
DISPLACEMENT [cm3/Inch3]	193	12
TORQUE [Nm/lbf-ft]	450	332
MAX AXIAL LOAD STATIC [KN/lbf]	10	2248
MAX AXIAL LOAD DYNAMIC [KN/lbf]	5	1124
WEIGHT [kg/lb]	10	22
CONNECTIONS	G1/4"	G1/4"
REQ. OIL FLOW FOR ROTATION [LPM/GPM]	10	2.6