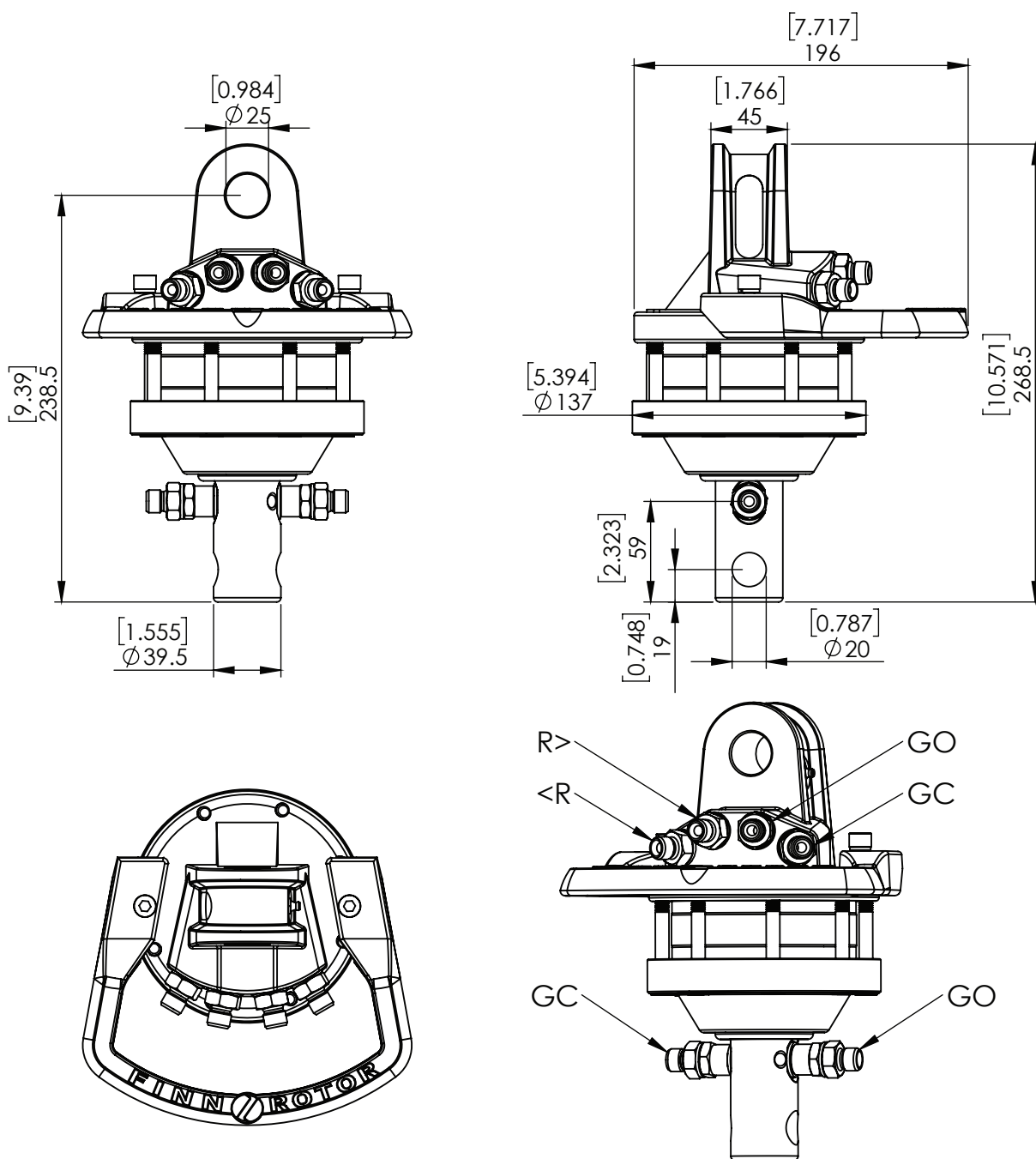


70100-111 CR 100-W25A20-111



Rotation angle	Unlimited
Max pressure (R)	250 bar
Max pressure grapple open (GO)	200 bar
Max pressure grapple close (GC)	300 bar
Capacity	193 cm ³
Torque (250 bar)	450 Nm
Max axial load static	10 kN
Max axial load dynamic	5 kN
Weight	10 kg
Connections	G 1/4"
Max oil flow	10 LPM
Connectors	PSB G1/4"

