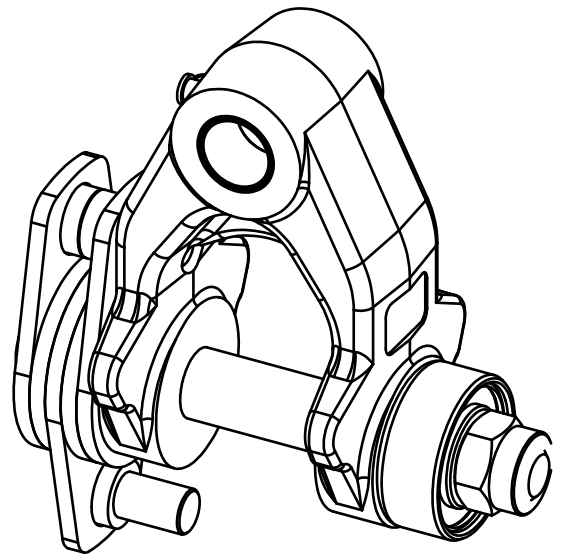
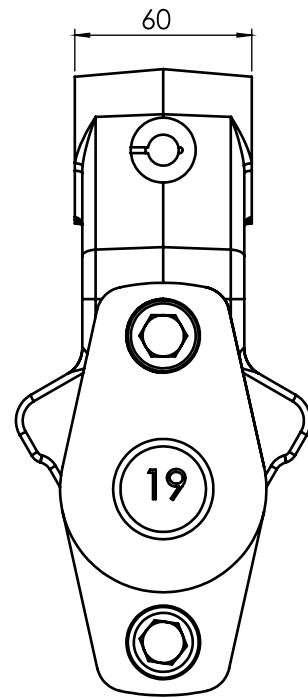
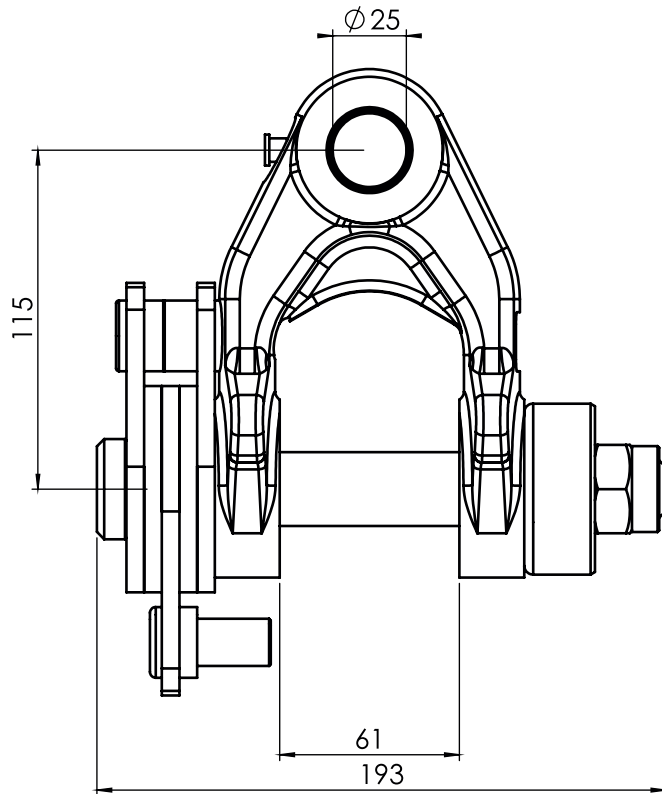


60440-1B

CBL 6025-6025



Max axial load static  
Max axial load dynamic  
Weight  
Braking force

40 kN  
20 kN  
5,5 kg  
120 Nm