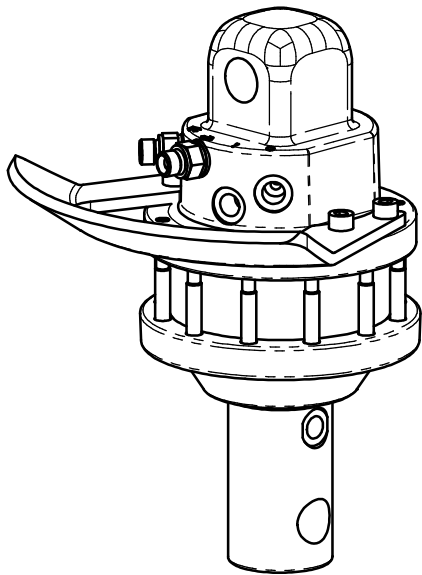
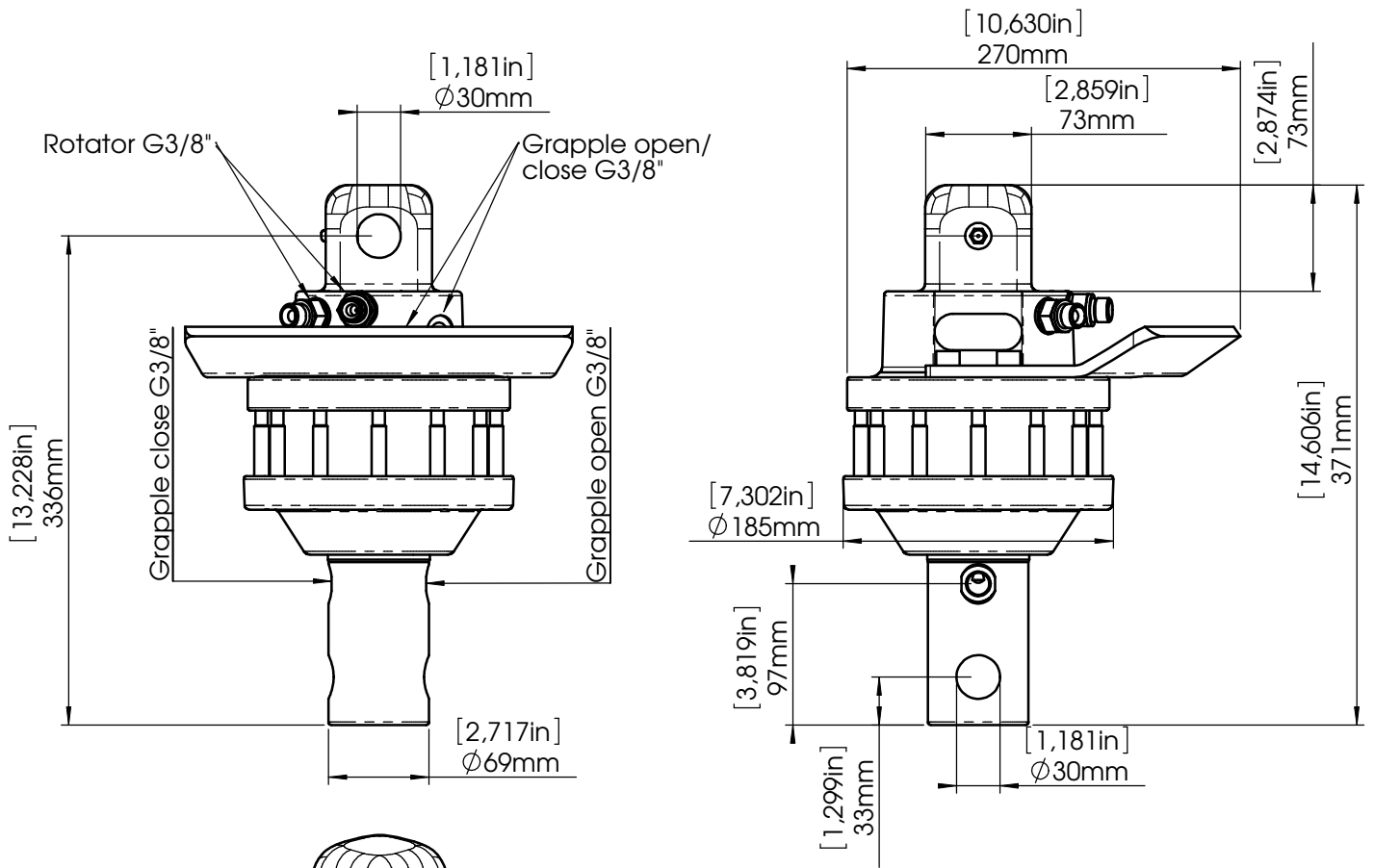
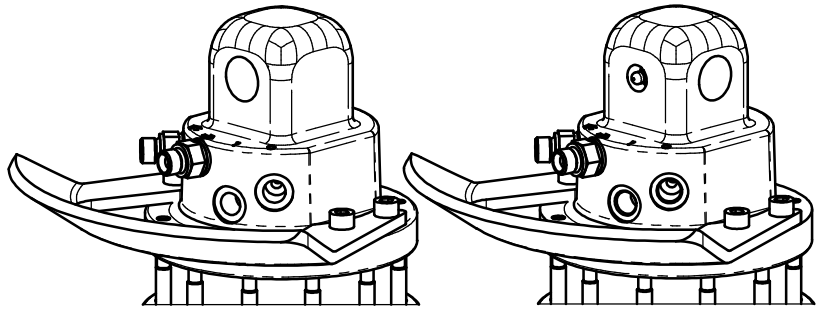


Rotator FR 15 A



Direction W

Direction X



FR 15	
Rotation angle	Unlimited
Max. working pressure	200 bar
Displacement	464 cm ³
Torque (200 bar)	1150 Nm
Max. axial force	82 kN
Safe working load	5500 kg
Weight	27 kg

Basic models				
Item	Name	Direction	D1	D2
11520	FR 15-X30A30	X	30	30
11522	FR 15-W30A30	W	30	30