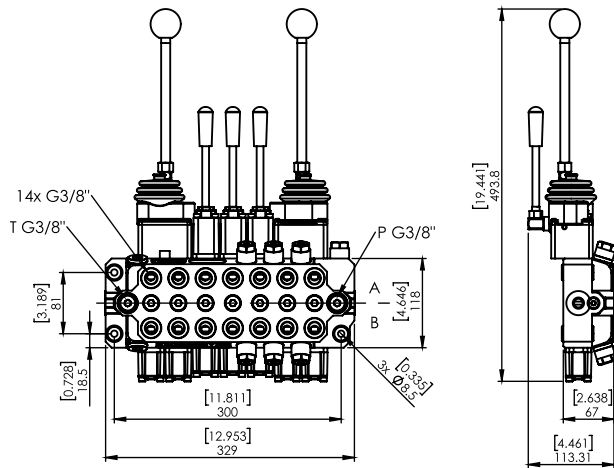


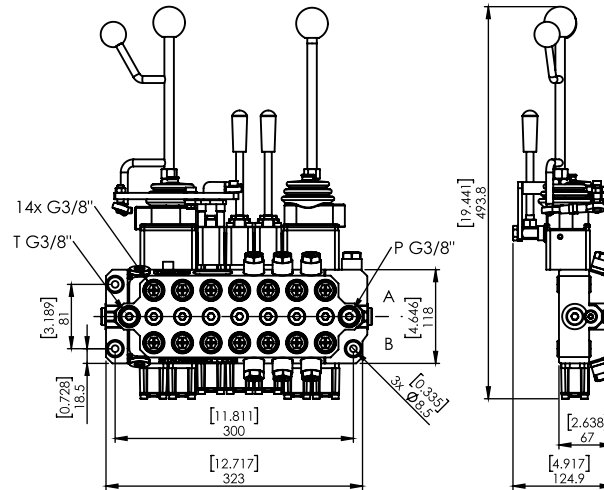
75600-TL

TECHNICAL LEAFLET, CRV 607 AND CRV 608 VALVES MECHANICAL CONTROLS

100798N CRV 607 2-LEVER VALVE



100803N CRV 607 2-LEVER (3 COORD) VALVE

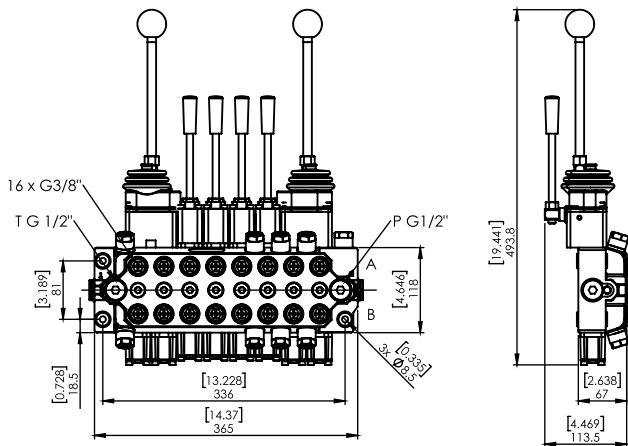


CRV 607 HYDRAULIC VALVE

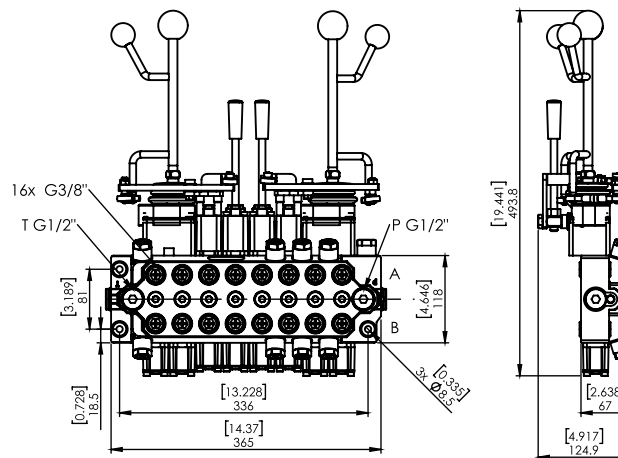
7-Spool hydraulic control valve for agriculture and forestry loaders and cranes.

Weight 19 kg

100799N CRV 608 2-LEVER VALVE



100800N CRV 608 2-LEVER (3 COORD) VALVE



CRV 608 HYDRAULIC VALVE

8-Spool hydraulic control valve for agriculture and forestry loaders and cranes.

Weight 21 kg

Max pressure	250 bar
Max oil flow	60 LPM
Max return line pressure	10 bar
Max oil temperature	+60 °C
Min oil temperature	-20 °C